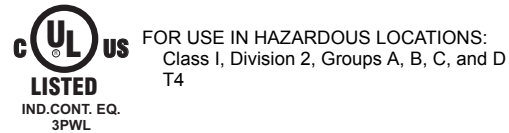


MODEL GRAC00C5 - Graphite® Core Controller With Plug-In I/O Module

Capability

- RUGGED CONTROLLER WITH BUILT-IN CONTROL ENGINE
- CONFIGURED USING CRIMSON® 3.0 SOFTWARE
- EASY TO ADD I/O CAPABILITY WITH PLUG-IN MODULES
- ALUMINUM CASE CONSTRUCTION FOR BOTH THE CORE CONTROLLER AND THE I/O MODULES
- PROTOCOL CONVERSION FEATURE CONVERTS NUMEROUS PROTOCOLS SIMULTANEOUSLY
- OVER 300 BUILT-IN DRIVERS ALLOWS EASY DATA MAPPING TO PLCs, PCs, AND SCADA SYSTEMS
- BUILT-IN WEB SERVER ALLOWS REMOTE VIEW OR CONTROL FROM ANY INTERNET CONNECTED PC OR SMART PHONE
- SYNCs DATA LOGS TO FTP SERVERS AND MICROSOFT SQL SERVER®
- PROVIDES EMAIL AND SMS TEXT MESSAGE ALERTS (SMS Requires GMHSPA00 module)
- 3 FULLY ISOLATED SERIAL COMMUNICATION PORTS (2 RS232 and 1 RS422/485)
- 10 BASE T/100 BASE-TX ETHERNET CONNECTION CAN CONNECT TO AN UNLIMITED NUMBER OF DEVICES VIA TEN PROTOCOLS SIMULTANEOUSLY



GENERAL DESCRIPTION

The Graphite® Core Controller is a rugged standalone industrial controller with a built in control engine designed to connect, monitor and control many types of discrete and process equipment. At the core of the product is Crimson 3.0 featuring the embedded control engine, that can be configured via IEC 61131 programming languages such as Ladder Logic, Function Block, Structured Text and/or Instruction List. Additionally, the Core Controller is optimized for multi-vendor environments with powerful protocol conversion, built-in data logging and a virtual operator interface for remotely viewing equipment and processes. The Core Controller can be expanded to meet almost any application requirement through the use of plug-in digital and analog I/O modules.

Red Lion's industry-leading protocol conversion offers access to over 300 drivers including PLCs, drives, cameras, bar code readers and many other devices providing easy data mapping to PLCs, PCs, and SCADA Systems. In addition, the Core Controller can convert up to 18 protocols simultaneously, seamlessly connecting and communicating with disparate devices. Graphite Core Controllers offer numerous communication ports including high-speed RS-232/485 and 10/100Base-T(X) Ethernet ports. Additionally, the Core Controller features built-in USB host ports for fast downloads of configuration files and access to trending and data logging information. Eliminate the need for external protocol converters and use a Core Controller to connect and control to all your devices.

The Graphite Core Controller can be programmed with Red Lion's Crimson 3.0 software using a simple drag and drop interface to configure data tags, virtual displays, protocol conversion and data logging in minutes. Embedded in Crimson 3.0 software platform is the control engine, Crimson Control which can be written in 4 programming languages including Ladder Logic, Function Block, Structured Text and/or Instruction List. The Core Controller comes with Crimson Control enabled, without the need of any additional equipment or modules.

Red Lion's Core Controller is housed in an all-aluminum housing, which provides reliable operation that can withstand even the most demanding environments. The result is an industrially hardened solution that connects, monitors, and controls disparate equipment in multi-vendor applications.

CONTENTS OF PACKAGE

- Graphite Core Controller
- Terminal block for connecting power.

ORDERING INFORMATION

DESCRIPTION	PART NUMBER
Graphite Core Controller, 5 Port Self-contained Rack	GRAC00C5

A listing of the entire Graphite family of products and accessories can be found at www.redlion.net.

SAFETY SUMMARY

All safety related regulations, local codes and instructions that appear in the manual or on equipment must be observed to ensure personal safety and to prevent damage to either the instrument or equipment connected to it. If equipment is used in a manner not specified by the manufacturer, the protection provided by the equipment may be impaired.

Do not use the controller to directly command motors, valves, or other actuators not equipped with safeguards. To do so can be potentially harmful to persons or equipment in the event of a fault to the unit.



CAUTION: Risk of Danger.
 Read complete instructions prior to installation and operation of the unit.



WARNING - EXPLOSION HAZARD - DO NOT DISCONNECT EQUIPMENT UNLESS POWER HAS BEEN SWITCHED OFF OR AREA IS KNOWN TO BE NON-HAZARDOUS.



WARNING - EXPLOSION HAZARD - SUBSTITUTION OF COMPONENTS MAY IMPAIR SUITABILITY FOR CLASS I, DIVISION 2.

SPECIFICATIONS

1. POWER REQUIREMENTS:

Must use a Class 2 circuit according to National Electrical Code (NEC), NFPA-70 or Canadian Electrical Code (CEC), Part I, C22.1 or a Limited Power Supply (LPS) according to IEC/EN 60950-1 or Limited-energy circuit according to IEC/EN 61010-1.

Power connection via removable three position terminal block.

Supply Voltage: 10-30 VDC

Input Voltage	GRAC00C5 POWER RATINGS (WATTS)			
	10 V	12 V	24 V	30 V
Typical Power GRAC00C5 only:	4 W	4 W	5 W	5 W
Maximum Power GRAC00C5 only:	10 W	10 W	10 W	11 W
Available Power for Module(s):	21 W			
Max Power GRAC00C5 With Module(s):	31 W	31 W	32 W	32 W

2. **BATTERY:** Lithium coin cell. Typical lifetime of 6 years, nominal.

3. MEMORY:

On Board User Memory: 256 Mbyte of non-volatile Flash memory.

Memory Card: SD slot accepts standard capacity cards up to 2 Gbyte.

4. COMMUNICATION CAPABILITIES:



USB Device Port: Adheres to USB specification 2.0 (high speed, full speed) only using Type B connection. **USB DEVICE PORT IS FOR SYSTEM SET-UP AND DIAGNOSTICS AND IS NOT INTENDED FOR PERMANENT CONNECTION.**

USB Host Ports: Comply with Universal Serial Bus Specification Rev 2.0. Support data transfers at (high speed, full speed). Hardware over current protected (0.5 A max per port).

Serial Ports: Ports are individually isolated. Format and Baud Rates for each port are individually software programmable up to 115,200 baud.

PGM Port: RS232 port via RJ12.

COMMS Ports: RS422/485 port via RJ45, and RS232 port via RJ12.

DH485 TXEN: Transmit enable; open collector, $V_{OH} = 15$ VDC,

$V_{OL} = 0.5$ V @ 25 mA max.

Port to Port Isolation: 500 Vrms for 1 minute. Signal Isolation: 50 V.

Ethernet Port: 10 BASE-T / 100 BASE-TX

RJ45 jack is wired as a NIC (Network Interface Card).

Isolation from Ethernet network to GRAC00C5: 1500 Vrms

5. ENVIRONMENTAL CONDITIONS:

Operating Temperature Range: -40 to 70 °C, or lowest range among equipment used in your Graphite system. Consult the user manual or www.redlion.net/OpTemp for further details.

Storage Temperature Range: -40 to 85 °C

Panel Mount Vibration to IEC 68-2-6: Operational 5-500 Hz, 4 g

Panel Mount Shock to IEC 68-2-27: Operational 40 g (10 g, modules w/ relays)

DIN Rail Mount Vibration to IEC 68-2-6: Operational 5-500 Hz, 2 g

DIN Rail Mount Shock to IEC 68-2-27: Operational 15 g (10 g, modules w/relays)

Requires DIN Rail type: DIN 1010, DIN 1065, or DIN 3065.

Operating and Storage Humidity: 0 to 85% max. RH non-condensing

Altitude: Up to 2000 meters

Installation Category II, Pollution Degree 2 as defined in IEC/EN 60664-1.

6. CERTIFICATIONS AND COMPLIANCES:

CE Approved

EN 61326-1 Immunity to Industrial Locations

IEC/EN 61010-1

RoHS Compliant

ATEX Approved

⊕ II 3 G Ex nA IIC T4 Gc

DEMKO 14 ATEX 1387X

EN 60079-0, -15

IECEx Approved

Ex nA IIC T4 Gc

IECEx UL 15.0035X

IEC 60079-0, -15

UL Listed: File #E302106

UL Hazardous: File #E317425

IP20 Enclosure rating

7. CONNECTIONS:

High compression cage-clamp terminal block

Wire Strip Length: 0.3" (7.5 mm)

Wire Gauge Capacity: One 14 AWG (1.63 mm) solid,

two 18 AWG (1.02 mm) or four 20 AWG (0.81 mm)

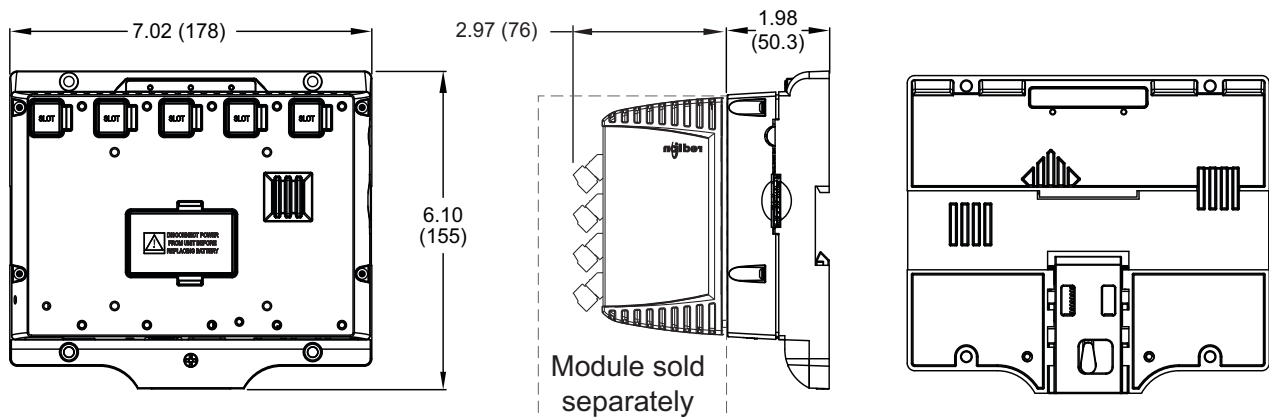
8. CONSTRUCTION:

Cast aluminum.

9. WEIGHT:

2 lb 3 oz. (1 Kg)

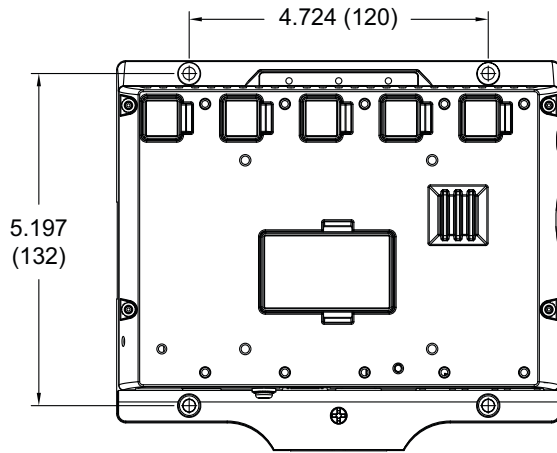
DIMENSIONS In inches (mm)



GRAPHITE CORE CONTROLLER INSTALLATION

PANEL MOUNTING INSTRUCTIONS

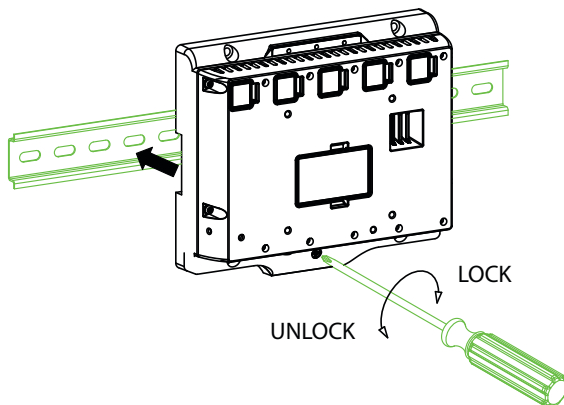
The Controller can be mounted on a DIN rail for normal environments, or bolted to a panel for high vibration environments. Refer to the diagram for the panel mount hole spacing.



DIN RAIL MOUNT AND CAM OPERATION

It is recommended that the controller be DIN rail mounted only in low vibration environments. Refer to the Specifications section for details.

1. Using a screwdriver, push in and fully rotate the Cam counter-clockwise to push the DIN clip downward against spring pressure locking it open
2. Place the controller on the DIN rail
3. Using a screwdriver, push in and rotate the Cam 90 degrees clockwise to release the DIN clip to engage the DIN rail
4. Rotate the Cam an additional 90 degrees clockwise to lock the DIN clip in the closed position.



For hazardous location installation the following shall be taken into consideration:

- When used in a Zone 2 environment, the device shall be panel mounted in at least Zone 2 IECEx/ATEX-Certified tool accessible enclosure with a minimum ingress protection rating of at least IP54 as defined in IEC/EN 60529.
- Must be wired using Division 2 wiring methods as specified in article 501-4(b), 502-4(b), and 503-3(b) of the National Electric Code, NFPA 70 for installation within the United States, or as specified in section 19-152 of Canadian Electrical Code for installation in Canada.

CONNECTING TO EARTH GROUND

The third pin of the power connector of the Core Controller is chassis ground for the unit. Your unit should be connected to earth ground.

The chassis ground is not connected to signal common of the unit. Maintaining isolation between earth ground and signal common is not required to operate your unit. But, other equipment connected to this unit may require isolation between signal common and earth ground. *To maintain isolation between signal common and earth ground care must be taken when connections are made to the unit.* For example, a power supply with isolation between its signal common and earth ground must be used. Also, plugging in a USB cable may connect signal common and earth ground.¹

¹ USB's shield may be connected to earth ground at the host. USB's shield in turn may also be connected to signal common.

POWER SUPPLY REQUIREMENTS

The Graphite Core Controller requires a 10-30 VDC power supply. Your unit may draw considerably less than the maximum rated power depending upon the features being used, and the applied voltage. As additional features are used your unit will draw increasing amounts of power. Items that could cause increases in current are modules, additional on-board communications, SD card, and other features programmed through Crimson software.

To ensure you do not exceed the capacity of your Graphite host power supply, calculate the total power consumption required for all of your planned modules. Each module's maximum power consumption is listed in the Specifications of their Product Bulletin. The total power available for modules is listed in the specifications of the Graphite host.

In any case, it is very important that the power supply is mounted correctly if the unit is to operate reliably. Please take care to observe the following points:

- Voltage range stated is at the power connector, not at the power source.
- The power supply must be mounted close to the unit, with usually not more than 6 feet (1.8 m) of cable between the supply and the operator interface. Ideally, the shortest length possible should be used.
- The wire used to connect the operator interface's power supply should be at least 22-gauge wire suitably rated for the temperatures of the environment to which it is being installed. If a longer cable run is used, a heavier gauge wire should be used. The routing of the cable should be kept away from large contactors, inverters, and other devices which may generate significant electrical noise.
- A power supply with an NEC Class 2 or Limited Power Source (LPS) and SELV rating is to be used. This type of power supply provides isolation to accessible circuits from hazardous voltage levels generated by a mains power supply due to single faults. SELV is an acronym for "safety extra-low voltage." Safety extra-low voltage circuits shall exhibit voltages safe to touch both under normal operating conditions and after a single fault, such as a breakdown of a layer of basic insulation or after the failure of a single component has occurred. A suitable disconnect device shall be provided by the end user.
- Peak efficiency (GRAC00C5) occurs at the low side of the voltage range (approx. 12 V), recommended for high temperature applications.

EMC INSTALLATION GUIDELINES

Although Red Lion Controls products are designed with a high degree of immunity to Electromagnetic Interference (EMI), proper installation and wiring methods must be followed to ensure compatibility in each application. The type of the electrical noise, source or coupling method into a unit may be different for various installations. Cable length, routing, and shield termination are very important and can mean the difference between a successful or troublesome installation. Listed are some EMI guidelines for a successful installation in an industrial environment.

1. A unit should be mounted in a metal enclosure, which is properly connected to protective earth.
2. Use shielded cables for all Signal and Control inputs. The shield connection should be made as short as possible. The connection point for the shield depends somewhat upon the application. Listed below

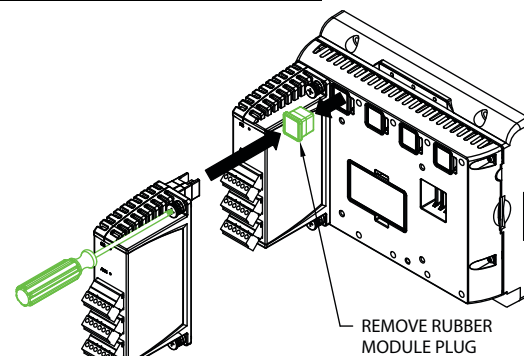
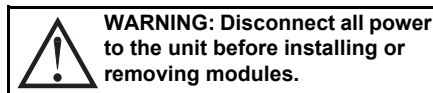
- are the recommended methods of connecting the shield, in order of their effectiveness.
- a. Connect the shield to earth ground (protective earth) at one end where the unit is mounted.
 - b. Connect the shield to earth ground at both ends of the cable, usually when the noise source frequency is over 1 MHz.
3. Never run Signal or Control cables in the same conduit or raceway with AC power lines, conductors, feeding motors, solenoids, SCR controls, and heaters, etc. The cables should be run through metal conduit that is properly grounded. This is especially useful in applications where cable runs are long and portable two-way radios are used in close proximity or if the installation is near a commercial radio transmitter. Also, Signal or Control cables within an enclosure should be routed as far away as possible from contactors, control relays, transformers, and other noisy components.
4. Long cable runs are more susceptible to EMI pickup than short cable runs.
5. In extremely high EMI environments, the use of external EMI suppression devices such as Ferrite Suppression Cores for signal and control cables is effective. The following EMI suppression devices (or equivalent) are recommended:
- Fair-Rite part number 0443167251 (Red Lion Controls #FCOR0000) Line Filters for input power cables:
 - Schaffner # FN2010-1/07 (Red Lion Controls #LFIL0000)
6. To protect relay contacts that control inductive loads and to minimize radiated and conducted noise (EMI), some type of contact protection network is normally installed across the load, the contacts or both. The most effective location is across the load.
- a. Using a snubber, which is a resistor-capacitor (RC) network or metal oxide varistor (MOV) across an AC inductive load is very effective at reducing EMI and increasing relay contact life.
 - b. If a DC inductive load (such as a DC relay coil) is controlled by a transistor switch, care must be taken not to exceed the breakdown voltage of the transistor when the load is switched. One of the most effective ways is to place a diode across the inductive load. Most Red Lion products with solid state outputs have internal zener diode protection. However external diode protection at the load is always a good design practice to limit EMI. Although the use of a snubber or

varistor could be used.
 Red Lion part numbers: Snubber: SNUB0000
 Varistor: ILS11500 or ILS23000

7. Care should be taken when connecting input and output devices to the instrument. When a separate input and output common is provided, they should not be mixed. Therefore a sensor common should NOT be connected to an output common. This would cause EMI on the sensitive input common, which could affect the instrument's operation. Visit www.redlion.net/emi for more information on EMI guidelines, Safety and CE issues as they relate to Red Lion products.

I/O MODULE INSTALLATION

The physical order of all installed modules must match the modules order as set in Crimson database. Torque screws to 6.0 pound-force inch [96 ounce-force inch] (0.68 Nm).



COMMUNICATING WITH THE CONTROLLER

CONFIGURING A CORE CONTROLLER

The Controller is configured using Crimson® software. Crimson software is available as a no charge download from Red Lion's website. Crimson updates for new features and drivers are posted on the website as they become available. By configuring the Core Controller using the latest Crimson version, you are assured that your unit has the most up to date feature set. Crimson software can configure the controller through the RS232 PGM port, USB port, or SD card.

The USB port is connected using a standard USB cable with a Type B connector. The driver needed to use the USB port will be installed as part of Crimson configuration.

The RS232 PGM port uses a programming cable made by Red Lion to connect to the DB9 COM port of your computer. If you choose to make your own cable, use the "Graphite Core Controller Port Pin Out Diagram" for wiring information.

The SD card can be used to program a controller by placing a configuration file and firmware on the SD card. The card is then inserted into the target controller and powered. Refer to the Crimson literature for more information on the proper names and locations of the files.

SYSTEM LEDS

COLOR	STATUS (DEFAULTS)
RED	Alarm
BLUE	Boot/File system SD card
GREEN	Power status

USB HOST LEDS

COLOR	STATUS
OFF	Not operational
RED	Error
GREEN	Normal operation

USB, DATA TRANSFERS FROM THE SD CARD

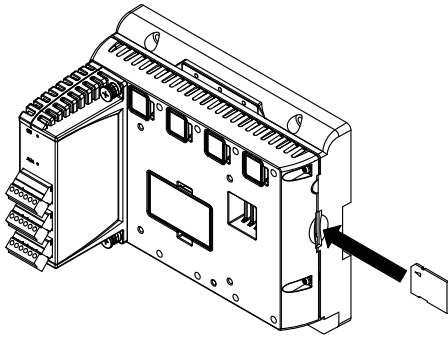


In order to transfer data from the SD card via the USB port, a driver must be installed on your computer. This driver is installed with Crimson software and is located in the folder C:\Program Files\Red Lion Controls\Crimson 3.0\Device\ after installation. This may have already been accomplished if your controller was configured using the USB port.

Once the driver is installed, connect the controller to your PC with a USB cable, and follow "Mounting the SD" instructions in the Crimson 3.0 user manual.

INSERTION/REMOVAL OF THE SD CARD

Insert the SD card into the slot provided with the card oriented as shown. The card is inserted properly when the end of the card is flush with the Core Controller case. To remove the SD card, push in slightly on the card.



CABLES AND DRIVERS

Red Lion has a wide range of cables and drivers for use with many different communication types. A list of these drivers and cables along with pin outs is available from Red Lion's website. New cables and drivers are added on a regular basis. If making your own cable, refer to the "Port Pin Outs" that corresponds to your specific model for wiring information.

ETHERNET COMMUNICATIONS

Ethernet communications can be established at either 10 BASE-T or 100 BASE-TX. The Graphite unit's RJ45 jack is wired as a NIC (Network Interface Card). For example, when wiring to a hub or switch use a straight-through cable, but when connecting to another NIC use a crossover cable.

The Ethernet connector contains two LEDs. A yellow LED in the upper right, and a green LED in the upper left. The LEDs represent the following statuses:

LED COLOR	DESCRIPTION
YELLOW solid	Link established.
YELLOW flashing	Data being transferred.
GREEN (OFF)	10 BASE-T Communications
GREEN (ON)	100 BASE-TX Communications

On the front of each unit is a unique 12-digit MAC address and a block for marking the unit with an IP address. Refer to the Crimson manual and Red Lion's website for additional information on Ethernet communications.

RS232 PORTS

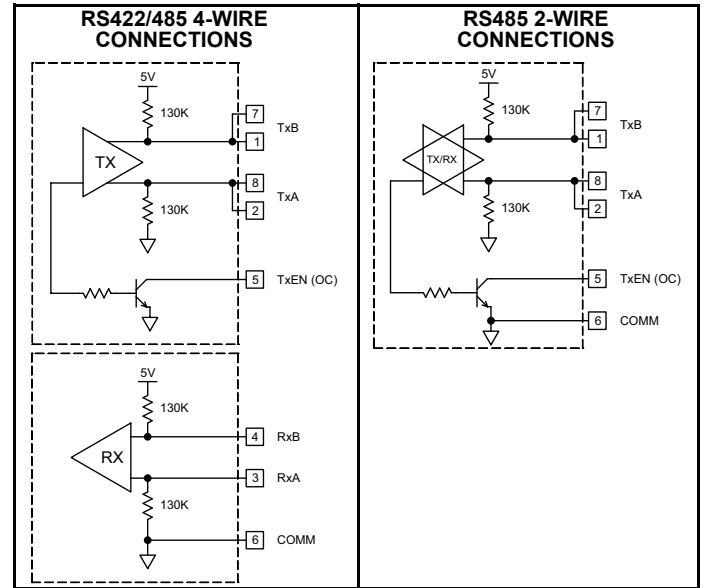
The Core Controller has two RS232 ports. There is the PGM port and the COMMS port. Although only one of these ports can be used for programming, both ports can be used for communications with a PLC.

The RS232 ports can be used for either master or slave protocols with any Graphite configuration.

GRAPHITE RS232 TO A PC			
Gxx: RJ12	Name	PC: DB9	Name
4	COMM	1	DCD
5	Tx	2	Rx
2	Rx	3	Tx
	N/C	4	DTR
3	COMM	5	GND
	N/C	6	DSR
1	CTS	7	RTS
6	RTS	8	CTS
	N/C	9	RI

RS422/485 COMMS PORT

The controller has one RS422/485 port. This port can be configured to act as either RS422 or RS485.



Note: All Red Lion devices connect A to A and B to B. Refer to www.redlion.net for additional information.

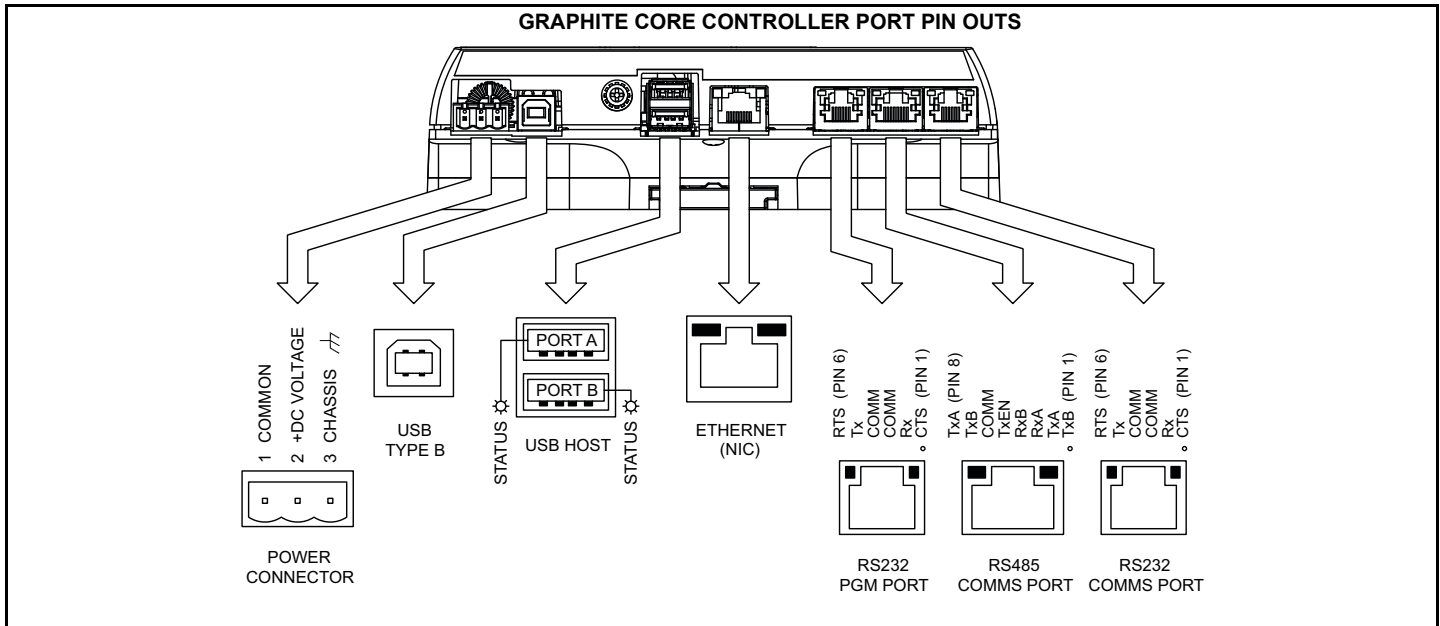
Examples of RS485 2-Wire Connections

GRAPHITE TO RED LION RJ11			
Gxx:RJ45	Name	RLC:RJ11	Name
5	TxEN	2	TxEN
6	COMM	3	COMM
1	TxB	5	B-
2	TxA	4	A+

DH485 COMMUNICATIONS

The Graphite Core Controller's RS422/485 COMMS port can also be used for Allen Bradley DH485 communications.

GRAPHITE TO AB SLC 500			
RJ45: RLC	Name	RJ45: A-B	Name
1	TxB	1	A
2	TxA	2	B
3, 8	RxA	-	24V
4, 7	RxB	-	COMM
5	TxEN	5	TxEN
6	COMM	4	SHIELD
4, 7	TxB	-	COMM
3, 8	TxA	-	24V



SOFTWARE/UNIT OPERATION

CRIMSON SOFTWARE

Crimson software is available as a no charge download from Red Lion's website. The latest version of the software is always available from the website, and updating your copy is free.

FACTORY RESET BUTTON


The factory reset button located on the front of the unit is used to activate listening mode for the system console. Refer to Crimson 3 System Console Technical Note at www.redlion.net/TNIA22 for access procedure and available options.

GRAPHITE TROUBLESHOOTING

If for any reason you have trouble operating, connecting, or simply have questions concerning your new Graphite unit, contact Red Lion's technical support.

Email: support@redlion.net
 Website: www.redlion.net
 Inside US: +1 (877) 432-9908
 Outside US: +1 (717) 767-6511

BATTERY & TIME KEEPING



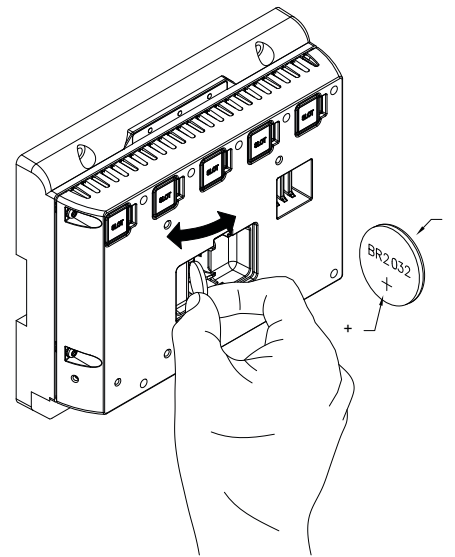
WARNING - EXPLOSION HAZARD - DISCONNECT POWER AND ENSURE THE AREA IS KNOWN TO BE NON-HAZARDOUS BEFORE SERVICING/REPLACING THE UNIT AND BEFORE INSTALLING OR REMOVING I/O WIRING AND BATTERY.

A battery is used to keep time when the unit is without power. Typical accuracy (at 25°C) of the time keeping is less than one minute per month drift. This battery does not affect the unit's memory, all configurations and data is stored in non-volatile memory.

Changing the Battery

To change the battery, first remove power to the unit. Remove the battery cover. Grasp the top edge of the battery and push to the left to remove the battery from the holder. Lift the battery out and replace with a new battery.

Replace the battery cover, and re-apply power. Using Crimson software, enter the correct time and date.



** Please note that the old battery must be disposed of in a manner that complies with your local waste regulations. The battery must not be disposed of in fire, or in a manner whereby it may be damaged and its contents could come into contact with human skin.*

The battery used by the Graphite Core Controller is an industrial temperature grade (-40 to 85 °C) lithium type BR2032.

This page intentionally left blank

LIMITED WARRANTY

(a) Red Lion Controls Inc. (the "Company") warrants that all Products shall be free from defects in material and workmanship under normal use for the period of time provided in "Statement of Warranty Periods" (available at www.redlion.net) current at the time of shipment of the Products (the "Warranty Period"). **EXCEPT FOR THE ABOVE- STATED WARRANTY, COMPANY MAKES NO WARRANTY WHATSOEVER WITH RESPECT TO THE PRODUCTS, INCLUDING ANY (A) WARRANTY OF MERCHANTABILITY; (B) WARRANTY OF FITNESS FOR A PARTICULAR PURPOSE; OR (C) WARRANTY AGAINST INFRINGEMENT OF INTELLECTUAL PROPERTY RIGHTS OF A THIRD PARTY; WHETHER EXPRESS OR IMPLIED BY LAW, COURSE OF DEALING, COURSE OF PERFORMANCE, USAGE OF TRADE OR OTHERWISE.** Customer shall be responsible for determining that a Product is suitable for Customer's use and that such use complies with any applicable local, state or federal law.

(b) The Company shall not be liable for a breach of the warranty set forth in paragraph (a) if (i) the defect is a result of Customer's failure to store, install, commission or maintain the Product according to specifications; (ii) Customer alters or repairs such Product without the prior written consent of Company.

(c) Subject to paragraph (b), with respect to any such Product during the Warranty Period, Company shall, in its sole discretion, either (i) repair or replace the Product; or (ii) credit or refund the price of Product provided that, if Company so requests, Customer shall, at Company's expense, return such Product to Company.

(d) THE REMEDIES SET FORTH IN PARAGRAPH (c) SHALL BE THE CUSTOMER'S SOLE AND EXCLUSIVE REMEDY AND COMPANY'S ENTIRE LIABILITY FOR ANY BREACH OF THE LIMITED WARRANTY SET FORTH IN PARAGRAPH (a).