

EtherTRAK®-2 I/O Modules



Quick Start Instructions

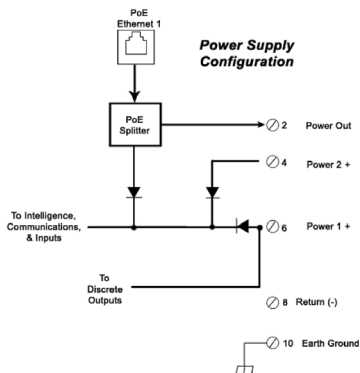


1. Unpack the Red Lion unit and verify the following components are enclosed in the package:
 - EtherTRAK-2 unit
 - Quick Start Guide
2. DIN-Rail or panel-mount the module.
3. Connect the 10-30 VDC power supply to the EtherTRAK-2 unit.

Power is supplied to the RTU via the 5-screw terminals.

Signal	Screw Terminal		Description
	Most E2s	E2-MIX20884-D only	
Power Out	Screw #2	Not used	+24 VDC output power on POE powered Ethernet modules only. POE power internally supplies power to module intelligence, communications, and inputs. A jumper is required from screw terminal #2 to screw terminal #6 to power discrete outputs.
Power 2+	Screw #4	Screw #2	Positive power input provides redundant power for the module intelligence, communications, and all inputs and analog outputs.
Power 1+	Screw #6	Screw #4	Positive power connection to operate all module intelligence, communication, and all inputs and output I/O channels.
Return -	Screw #8	Screw #6	Power supply negative return - common to all internal functions except individually isolated I/O channels on some modules.
Earth	Screw #10	Screw #8	Earth ground connection. Tied to metal case on Ethernet and USB connectors on the wiring base.

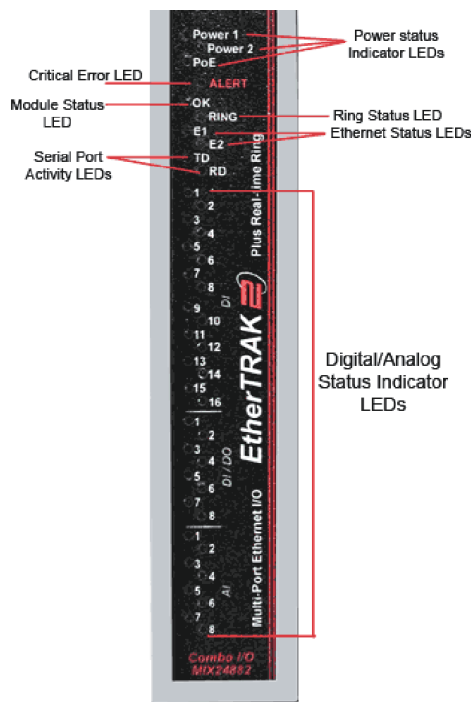
Device accepts 10-30 VDC power (Power supply / transformer not included).



4. Install Communications wiring to I/O Module. Make the necessary Ethernet, USB or RS485 communication connections between I/O Modules and to your master polling device.

5. Detach module from the base, configure Network mode and DI COM Jumper on the base and replace the module.
6. Apply power and observe the status (OK) LED on the unit.

Hardware Status LEDs*



*See the EtherTRAK-2 User Manual for more information on LEDs.

7. Configure device using the web server or I/O tool kit software. Application-specific configuration choices may be made by using the web server embedded with the I/O module or through the I/O tool kit software.

Access the User Interface

8. Connect PC to the EtherTRAK-2 unit.
 - a. Connect an Ethernet cable between the local PC and the unit's Ethernet 1 port (E1).
 - b. Verify the link LED is lit.
9. Setup PC IP Address.

Note: For assistance with configuring your PC, see the appropriate Microsoft Windows support web page listed at: <http://support.microsoft.com>

PC to Ethernet Interface

10. Select Use the following IP address and fill in the blank fields with the following information:

LAN/ETH1	
IP Address	10.1.0.100
Subnet Mask	255.0.0.0

Access Web Server Interface

11. Open a web browser and enter the following in the address bar: 10.1.0.1
12. Upon successfully typing in the IP Address in you will see the home screen.
You are now connected to the web server interface.
13. In the Ethernet Configuration screen, enter your desired IP address and subnet mask, or enable DHCP.
Click on commit changes to save these new settings to the I/O module.
14. Repeat step 10 to return your PC to its original IP address and subnet mask.
15. Test the I/O module using the Test I/O window to verify proper I/O operation. Refer to the I/O Toolkit or web server on-line Help for further instructions.
16. Please refer, for additional information as needed, to the EtherTRAK-2 User Manual and the E2 Quick Connect Guide at: www.redlion.net/sixnet_documentation.

Red Lion Technical Support

If you have followed all instructions up to this point and your unit is still not communicating, then it is time to contact Red Lion Technical Support at support@redlion.net or 1-877-432-9908 and we will be happy to assist in getting your unit operational.

Installation and Hazardous Area Warnings

These products should not be used to replace proper safety interlocking. No software-based device (or any other solid-state device) should ever be designed to be responsible for the maintenance of consequential equipment or personnel safety. In particular, Red Lion disclaims any responsibility for damages, either direct or consequential, that result from the use of this equipment in any application.

All power, input and output (I/O) wiring must be in accordance with Class I, Division 2 wiring methods and in accordance with the authority having jurisdiction.

These products are operator interface units to be used within control panels. These devices are intended for use in Class I, Division 2, Hazardous Locations, industrial control applications. The enclosure shall be suitable for the location.

WARNING – EXPLOSION HAZARD – SUBSTITUTION OF COMPONENTS MAY IMPAIR SUITABILITY FOR CLASS 1, DIVISION 2.

WARNING – EXPLOSION HAZARD – DO NOT DISCONNECT EQUIPMENT UNLESS POWER HAS BEEN SWITCHED OFF OR THE AREA IS KNOWN TO BE NONHAZARDOUS.

WARNING – EXPLOSION HAZARD – WHEN IN HAZARDOUS LOCATIONS, DISCONNECT POWER BEFORE REPLACING OR WIRING MODULES.

Avertissements pour Installation et Endroits Dangereux

Ces produits sont des unités d'interface opérateur qui doivent être utilisés à l'intérieur des panneaux de commande. Ces appareils sont destinés à une utilisation en Classe I, Division 2, zones dangereuses, applications de contrôle industriel. L'enclos doit être adapté à l'environnement lieu.

Tout courant, câblage entrée et sortie (I / O) doit être conforme aux méthodes de câblage à la Classe I, Division 2 et conformément à l'autorité compétente.

AVERTISSEMENT – RISQUE D'EXPLOSION – LA SUBSTITUTION DE TOUT COMPOSANT PEUT NUIRE À LA CONFORMITÉ DE CLASSE I, DIVISION 2.

AVERTISSEMENT – RISQUE D'EXPLOSION – NE DÉBRANCHEZ PAS L'ÉQUIPEMENT À MOINS QUE L'ALIMENTATION AIT ÉTÉ COUPÉE OU QUE L'ENVIRONNEMENT EST CONNU POUR ÊTRE NON DANGEREUX.

AVERTISSEMENT - LORSQUE DANS DES ENDROITS DANGEREUX, DÉBRANCHEZ LE CORDON D'ALIMENTATION AVANT DE REMPLACER OU DE BRANCHER LES MODULES.

ATEX Requirements

These products are operator interface units to be used within control panels. Ensure the enclosure is suitable for the location. A minimum IP54 rated enclosure is needed for ATEX unless an equivalent degree of protection is supplied by the location. Use these products within control panels in hazardous locations. Do not use Hot-swapping in hazardous locations.

Note: Models E2-16DIAC-D and E2-16DORLY-D are not ATEX certified.

Conditions of Safe Use as per ATEX

Only use the equipment in an area of not more than pollution degree 2, as defined in EN/IEC 60664-1.

Install the equipment in an enclosure that provides a degree of protection not less than IP54 in accordance with IEC 60079-15. Make provision to prevent the rated voltage from being exceeded by the transient disturbances of more than 140% of the peak rated voltage.

Note: For additional information please see the EtherTRAK-2 User Manual.