

# Dry Contact Relay Module

Sixnet Automation Devices



## ▶▶▶ Dry Contact Relay Module

### Select relay outputs when...

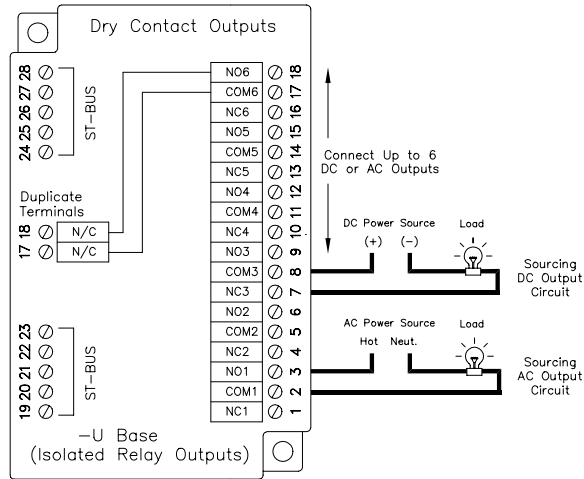
...dry contact outputs are specified or whenever normally closed contacts are required.

- Good choice for specifications that call for contact closure outputs
- Provides both normally open and normally closed contacts (SPDT)
- Normally closed contacts pass current even when module power is off (for failsafe systems)
- Ideal for low current loads

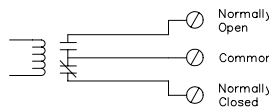


Performance Specifications	
Number of channels	6
Output configuration (each output)	Form C
Minimum output voltage	0 VAC/VDC
Maximum output voltage	140 VAC/VDC
Minimum load current per output	0.1 mA
Maximum load current per output (24 VDC)	2 Amps
Maximum load current per output (120 VAC)	0.5 Amps
Maximum load current per module (24VDC)	12 Amps
Maximum OFF state leakage current (120 VAC)	0.01 mA
Minimum OFF resistance	100 Meg Ohms
Maximum relay turn on time	6 mS
Maximum relay turn off time	6 mS
Maximum ST-Bus power	1500 mW
Isolation (input to ST-Bus)	1200V
Operating temperature range	-30 to 70°C
Storage temperature range	-40 to 85°C
Humidity (non-condensing)	5 to 95%

**Note:** The first output may be configured as a system performance watchdog. ON = OK.



Equivalent Circuit



### Ordering Information

Description	Part Number
6 Form C Relays w/Wiring Base	ST-DO-RLY-06U
Module only	ST-DO-RLY-06M

