

710FX2 Industrial Ethernet Switch

N-Tron® Networking Series



Managed Industrial Ethernet Switch

The N-TRON® 710FX2 compact, fully managed industrial Ethernet switch is housed in a rugged industrial metal enclosure and offers a powerful combination of eight 10/100BaseTX copper ports and two 100Base fiber ports. It is ideally suited for use in industrial applications such as factory floor control networks, utilities, wind turbines, wastewater treatment facilities, rail car, intelligent traffic control and transportation applications, and any other application where high reliability, superior noise immunity, extreme ruggedness, and extended distance are required.

PRODUCT FEATURES

- Eight 10/100BaseTX RJ-45 Ports
- Two 100BaseFX Ports, ST or SC Style
- -40°C to 70°C Operating Temperature
- Onboard Temperature Sensor
- ESD and Surge Protection Diodes on all Ports
- Auto Sensing 10/100BaseTX, Duplex, and MDIX
- Store-and-Forward Technology
- Rugged DIN-Rail Enclosure
- Redundant Power Inputs (10-49 VDC)
- Configurable Bi-Color Fault Status LED

FULLY MANAGED FEATURES

- SNMP v1, v2, v3 and Web Browser Management
- Configuration backup via Optional SD card
- Detailed Ring Map and Fault Location Charting
- N-Ring™ Technology with ~30ms Healing
- N-Link Redundant N-Ring Coupling
- RSTP 802.1d, 802.1w, 802.1D
- N-View™ OPC Monitoring
- IGMP Auto configuration
- 802.1Q tag VLAN and Port VLAN
- 802.1p QoS, Port QoS, and DSCP
- EtherNet/IP™ CIP Messaging
- LLDP (Link Layer Discovery Protocol)
- Trunking
- Port Mirroring
- DHCP Server, Option 82 relay, Option 61, IP Fallback
- Local Port IP Addressing
- Port Security—MAC Address Based



Remote Monitoring Options

Web browser and N-View™ OPC (OLE for process control) server software provides configuration and monitoring capability. N-View software easily combines with HMI software to monitor network traffic, alarms, and trends. SNMP is also available for switch link and status monitoring. Status LEDs are configurable to indicate power failure and N-Ring status.

N-Ring™ Technology

N-Ring technology provides expanded ring capacity, detailed fault diagnostics, and fast 30ms healing time. The ring manager validates the integrity of the ring using health check packets and quickly converts the ring to a linear topology within ~30ms when an error is detected. The health status of a ring comprised of all N-TRON fully managed switches may be monitored. A detailed ring map and fault location chart may be accessed by the ring manager's web browser or the OPC server. N-Link allows the linking of two N-Rings. Up to 250 fully managed N-TRON switches are supported in an N-Ring topology.

Industrial Specifications

High MTBF, extended shock and vibration specifications, wide operating temperature range and redundant power inputs are standard features.

Ease of Use

The 10/100BaseTX ports are auto sensing and auto configuring. Each copper port is automatically negotiated for maximum speed and performance by default, but can also be hard coded through the user interface. A high-speed processor allows wire speed capability on all 10/100BaseTX ports simultaneously.

Specifications

Switch Properties

| | |
|--------------------------|-------------------|
| Number of MAC Addresses: | 8000 |
| Aging Time: | Programmable |
| Latency Typical: | 2.6 μs |
| Switching Method: | Store-and-Forward |

Case Dimensions

| | | |
|-----------------|---------|-----------|
| Height: | 4.3" | (10.8 cm) |
| Width: | 2.4" | (6.1 cm) |
| Depth: | 4.6" | (11.5 cm) |
| Weight (max): | 1.4 lbs | (0.6 kg) |
| DIN-Rail Mount: | 35mm | |

Electrical

| | |
|--------------------------|------------------------|
| Redundant Input Voltage: | 10-49 VDC (Regulated) |
| Input Current (max): | 415mA@24 VDC |
| BTU/hr: | 33.99@24 VDC |
| N-TRON Power Supply: | NTPS-24-1.3 (1.3A@24V) |

Environmental

| | |
|------------------------|----------------------------|
| Operating Temperature: | -40°C to 70°C |
| Storage Temperature: | -40°C to 85°C |
| Operating Humidity: | 5% to 95% (Non Condensing) |
| Operating Altitude: | 0 to 10,000 ft. |

Shock and Vibration (bulkhead mounted)

| | |
|--------------------|------------------------|
| Shock: | 200g @ 10ms |
| Vibration/Seismic: | 50g, 5-200Hz, Triaxial |

Reliability

| | |
|-------|------------------|
| MTBF: | >2 Million Hours |
|-------|------------------|

Network Media

| | |
|------------|-------------|
| 10BaseT: | ≥Cat3 Cable |
| 100BaseTX: | ≥Cat5 Cable |

Connectors

| | |
|---------------|--|
| 10/100BaseTX: | Eight (8) RJ-45 Copper Ports |
| 100BaseFX: | Two (2) 100BaseFX Port, ST or SC Style |

Recommended Wiring Clearance

| | | |
|--------|----|-----------|
| Front: | 4" | (10.2 cm) |
| Side: | 1" | (2.6 cm) |

Fiber Transceiver Characteristics

| Fiber Length | 2km* | 15km** | 40km** | 80km** |
|--------------------|--------|--------|--------|--------|
| TX Power Min | -19dBm | -15dBm | -5dBm | -5dBm |
| RX Sensitivity Max | -31dBm | -31dBm | -34dBm | -34dBm |
| Wavelength | 1310nm | 1310nm | 1310nm | 1550nm |

* Multimode Fiber Optic Cable
 ** Singlemode Fiber Optic Cable

Regulatory Approvals

FCC: Title 47, Part 15, Subpart B, Class A;
 ICES-003: Class A;
 ANSI C63.4
 CE: EN 61000-6-2, 4; IEC 61000-4-2, 3, 4, 5, 6, 8, 11
 GOST-R Certified, RoHS Compliant
 UL/cUL: UL 508 and ANSI/ISA-12.12.01-2007
 Class I, Div 2, Groups A, B, C, and D; T4
 Designed to comply with:
 IEEE 1613 for Electric Utility Substations
 NEMA TS1/ TS2 for Traffic control
 IEC-61850

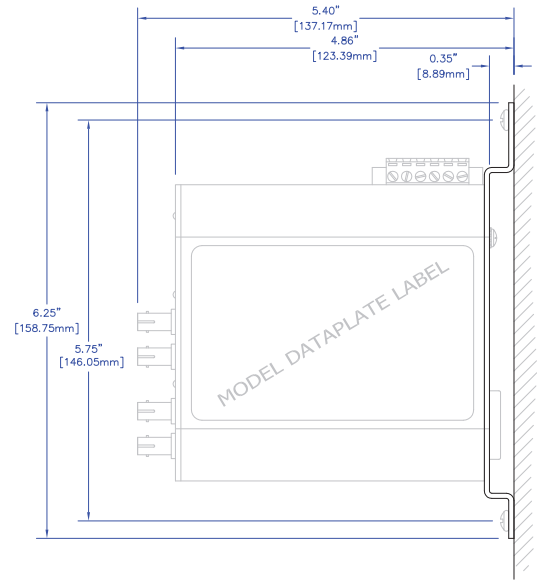
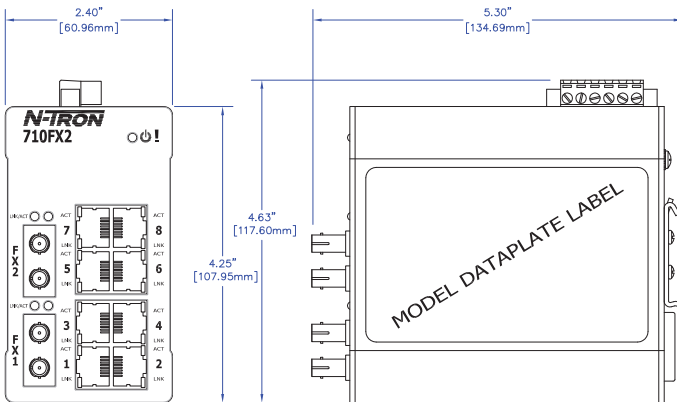
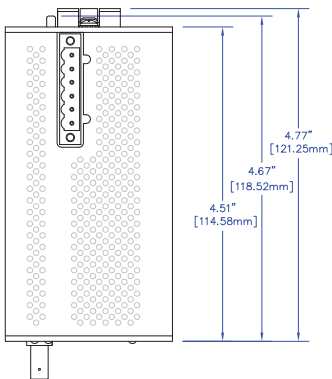
EtherNet/IP™

▶▶▶ 710FX2 Specifications

ORDERING INFORMATION

| PART NUMBER | DESCRIPTION |
|---------------|---|
| 710FX2-XX | 10-Port (8 10/100BaseTX, 2 100BaseFX Fiber Uplink) Fully Managed Industrial Ethernet Switch, DIN-Rail |
| 710FXE2-XX-YY | 10-Port (8 10/100BaseTX, 2 100BaseFX Fiber Uplink) Fully Managed Industrial Ethernet Switch, singlemode, DIN-Rail |
| NTCD128 | Optional configuration card for backup / restore |
| NTPS-24-1.3 | N-TRON® Power Supply - (1.3 Amp @ 24 VDC) |
| CPMA-1 | Compact panel mount (factory installed option only) |
| URMK | Universal Rack Mount Kit |

Where: N = N-View Firmware Option
 E = Singlemode
 XX = ST for ST style fiber connector, SC for SC style fiber connector
 YY = Segment length:
 15 for 15km max. fiber segment length
 40 for 40km max. fiber segment length
 80 for 80km max. fiber segment length
Mixed fiber configurations available.



OPTIONAL COMPACT PANEL MOUNT ASSY.
 (P/N: CPMA-1)



www.redlion.net

Connect. Monitor. Control.

Americas
 sales@redlion.net

Asia-Pacific
 asia@redlion.net

Europe
Middle East
Africa
 europe@redlion.net

+1 (717) 767-6511

As the global experts in communication, monitoring and control for industrial automation and networking, Red Lion has been delivering innovative solutions for over forty years. Our automation, Ethernet and cellular M2M technology enables companies worldwide to gain real-time data visibility that drives productivity. Product brands include Red Lion, N-Tron and Sixnet. With headquarters in York, Pennsylvania, the company has offices across the Americas, Asia-Pacific and Europe. Red Lion is part of Spectris plc, the productivity-enhancing instrumentation and controls company. For more information, please visit www.redlion.net.

ADLD0287 080116 © 2016 Red Lion Controls, Inc. All rights reserved. Red Lion, the Red Lion logo, N-Tron and Sixnet are registered trademarks of Red Lion Controls, Inc. All other company and product names are trademarks of their respective owners.