

Industrial Ethernet I/O Module

PRODUCT HIGHLIGHTS

- 16 bit differential inputs reduce noise and ground loops
- RTDs are more accurate than thermocouples
- RTD linearization done in software for high accuracy
- Four discrete inputs for monitoring or counting

PERFORMANCE SPECIFICATIONS

- 4 RTD inputs
- RTD type, 100 Ohm platinum, alpha = .00385 or .00392
- Compatible lead configurations 2, 3, or 4 wire
- Input range -200 to 850°C
- 16 bits A/D resolution
- Scaled resolution 0.1°C
- Full scale accuracy (@20C) 0.5°C
- Span & offset temp. coefficient +/- 25 ppm/°C
- Excitation current (pulsed to reduce self-heating) 250 uA
- Max. lead wire resistance 100 Ohms per side, balanced
- Input protection +/- 25 VDC
- Fastest scan rate (4 RTDs) 700 mS
- Fastest scan rate (4DIs) 2 mS
- Number of discrete inputs 4
- Nominal discrete input range 12/24 VDC/VAC
- Discrete input characteristics Same as ET-16DI2
- Filtered Mode ON/OFF delay 25 mS
- Filtered Mode count feature 10 Hz maximum
- Fast Mode count feature 100 Hz Max (2 kHz on channel 1)
- Required supply voltage 10-30 VDC (0.75 watt typical)
- Operating temperature range -30 to 70° C
- Storage temperature range -40 to 85° C
- Humidity (non-condensing) 5 to 95%

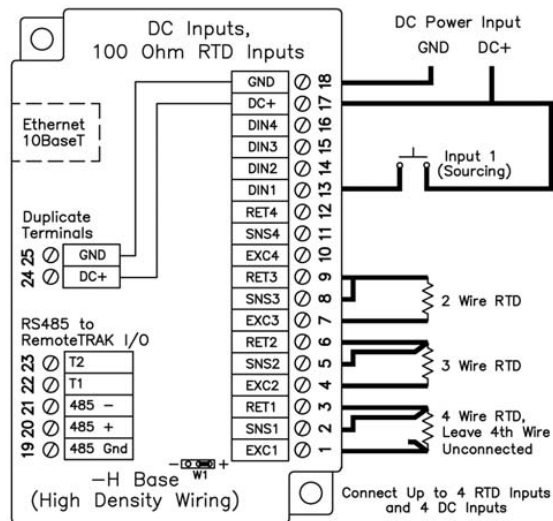
RS485 PORT FOR I/O EXPANSION

- 32 Max. RS485 stations (up to 512 I/O)
- Baud rate: 38,400 bps
- Recommended distance of up to 0.5 mile
- Protocol: SIXNET "I/O for Windows", Modbus ASCII & RTU
- Isolation (from Ethernet port) 1200 Volts RMS 1 minute

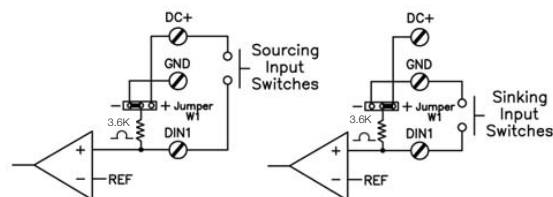
ORDERING INFORMATION

- ET-4RTD-4DI2-U 4 RTD and 4DI with wiring base
- ET-4RTD-4DI2-M Replacement module only

All specifications are subject to change. Consult factory for latest info.



Equivalent DC Input Circuits



Equivalent RTD Input Circuit

