

RM-8DO2 RemoteTRAK® I/O Module

Sixnet Automation Series



I/O Module – Discrete Outputs

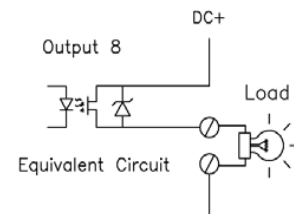
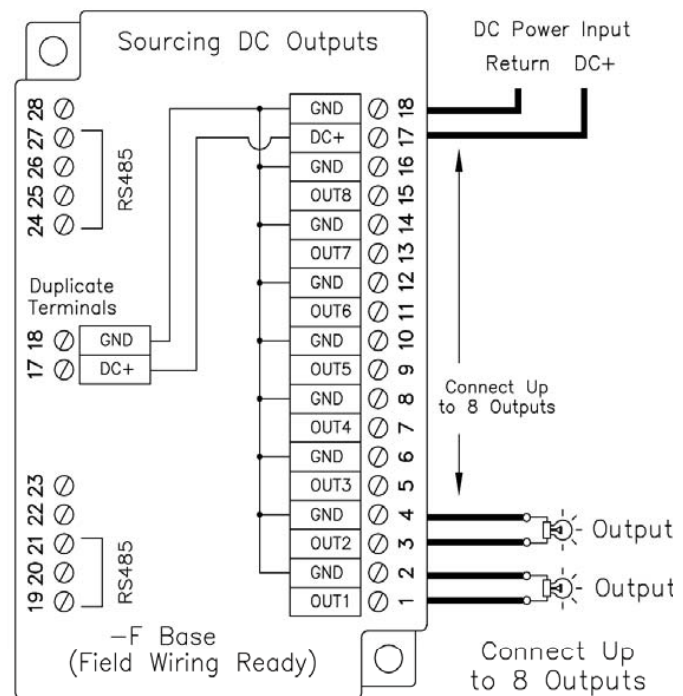
PRODUCT HIGHLIGHTS

- Amp high-current outputs drive inductive loads
- Short circuit protection at full rated load
- Thermal overload protection and shutdown
- Time Proportioned Outputs for low cost control
- Direct field wiring with two terminals per output

PERFORMANCE SPECIFICATIONS

- 8 channels
- Output range 10-30 VDC
- Max. output current per channel 3 Amps (derate linearly to 2A from 50 to 70°C)
- Max. output current (entire module) 10 Amps
- Max. OFF state leakage current 0.05 mA
- Min. load current per channel 0.1 mA
- Inrush current (100 mS surge) 10 Amps
- Max. inductive load 0.2 H (3 Amp load at 24 VDC)
- Typical ON resistance 0.1 Ohms
- Typical ON voltage drop (@ 1 Amp) 0.1 VDC
- Short circuit protection At full rated load
- Thermal shutdown protection 150° C
- Serial communication information
- RS485 isolation 1200 Volts RMS 1 minute
- Required supply voltage 10-30 VDC (0.5 watt typical)
- Operating temperature range -30 to 70°C
- Storage temperature range -40 to 85°C
- Humidity (non-condensing) 5 to 95%

Note: Time Proportioned Outputs control the duty cycle of the output in proportion to an analog output register value. The cycle time and minimum pulse width are configurable.



ORDERING INFORMATION

- RM-8DO2-F - Module with field wiring base
- RM-8DO2-M - Replacement module only

All specifications are subject to change. Consult factory for latest info.

