

Product End of Life Notice

Rev 3/2017

Apollo to PAX Lite Panel Meter Comparison



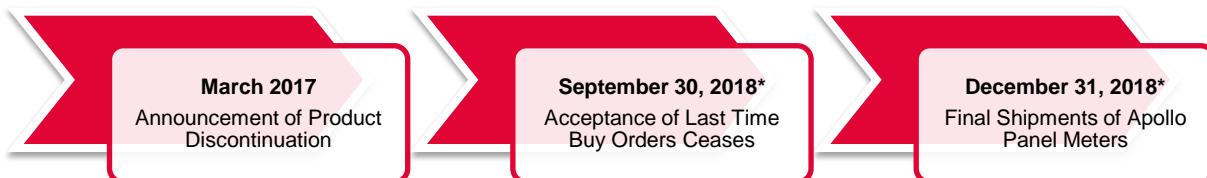
Introduction

The Apollo Series was introduced in 1988, marking Red Lion's first entry into the digital panel meter market. In 2003 the PAX Lite was released as an alternative for the Apollo Series. PAX Lite features full plastic construction, switch selectable power, DIP switch programmable inputs, and a better price position. For nearly three decades the Apollo Series has served the market; however, given the features and benefits of the PAX Lite products it is time to announce the discontinuation of the Apollo Series panel meters.

This document describes the discontinuation, details the alternatives available and provides information on how their features compare with the Apollo products.

Timing

Red Lion Controls intends to honor the standard warranty obligation for this product when ordered and delivered in accordance with the following transition schedule:



March 2017

- Announcement to customers
- Red Lion begins accepting non-cancellable, non-returnable last time buy orders
- Orders may be scheduled for delivery between now and December 31, 2018

September 30, 2018

- General availability of Apollo panel meters ceases
- Acceptance of last time buy orders concludes

December 31, 2018

- Shipment of Apollo panel meters stops

Why is this transition taking place?

The PAX Lite panel meters were designed with new features that meet or exceed those available on the Apollo panel meters. Despite their continued value and reliability, sustaining the Apollo line is no longer possible.

What happens to my current investment in Apollo panel meters?

Maintaining excellent compatibility for easy and cost-effective transition is an important design criterion when designing next generation products. Red Lion Controls suggests the PAX Lite panel meters as a replacement for the Apollo panel meters. The PAX Lite products provide certifications and improved functionality at a lower price while still maintaining brand-leading compatibilities.

Additional Information

This document contains additional information regarding this end of life announcement.

Appendix A

Feature comparison of the Apollo and PAX Lite products

Appendix B

List of products and their suggested replacements

Appendix C

List of products impacted by this or a previous Apollo EOL notice which have no suggested replacements

Appendix A

Comparison of Apollo Panel Meters and PAX Lite Panel Meters

The PAX Lite panel meters are the suggested replacement for the Apollo panel meters. The chart below compares the features of the two products.

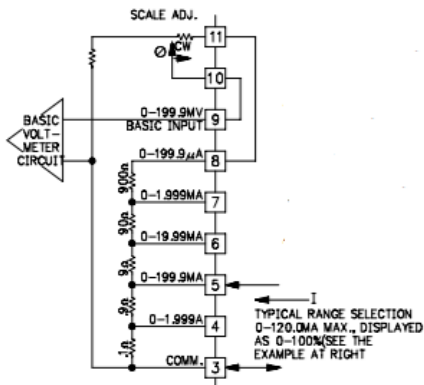


Apollo Panel Meter

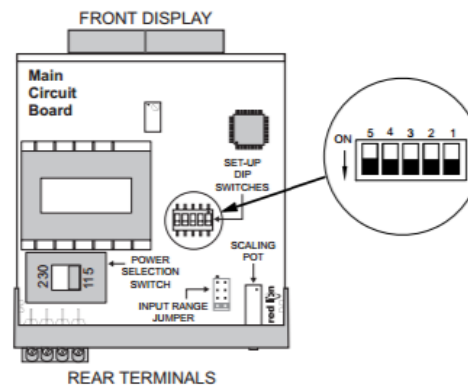


PAX Lite Panel Meter

	Apollo Panel Meters	PAX Lite Panel Meters
Part Number	See list below	
Power	Model dependent, selected when ordering	Switch selectable 115/230 VAC
Construction	Metal bezel	Plastic
Connections	Removable terminal	Fixed terminal
Input	Model dependent	Model dependent
Display Type	Red LED	Red LED
Display Height	0.56 in	0.56 in
Mounting Considerations		Direct replacement



Apollo Input Connections



PAX Lite Input Switches

Appendix B

Apollo Panel Meters and their Suggested Replacements

This list includes specific Apollo product being discontinued with this announcement as well as devices discontinued in previous announcements. Only the devices discontinued as part of this announcement are subject to the schedule provided on page one.

Apollo Part Number	Apollo List Price	PAX Lite Replacement	PAX Lite Price	When Announced
APLID400	\$260	PAXLID00	\$132	Now
APLIT405	\$324	PAXLIT00	\$169	Now
APLR0600	\$355	PAXLR000	\$163	Now
APLRI600	\$409	PAXLR000	\$163	Now
APLVD400	\$250	PAXLVD00	\$125	Now
APLIA400	N/A	PAXLIA00	\$156	Previously
APLIA410	N/A	PAXLIA00	\$156	Previously
APLID410	N/A	PAXLID00	\$132	Previously
APLIT415	N/A	PAXLIT00	\$169	Previously
APLR0610	N/A	PAXLR000	\$163	Previously
APLRI610	N/A	PAXLR000	\$163	Previously
APLT0600	N/A	PAXLC600	\$165	Previously
APLT0800	N/A	PAXLC800	\$176	Previously
APLVA400	N/A	PAXLVA00	\$156	Previously
APLVA410	N/A	PAXLVA00	\$156	Previously
APLVD410	N/A	PAXLVD00	\$125	Previously
APLR0630	N/A	PAXR0030	\$263	Previously
APLRI630	N/A	PAXR0030	\$263	Previously

Prices listed are Red Lion standard list price at time of publication, in USD. Pricing is for illustrative purposes only and does not constitute a quote.

Appendix C

Apollo Panel Meters with No Suggested Replacement

While every effort is made to ensure we have suggested replacements for products, occasionally there may be a device that has no follow-on product. This is the list of products impacted by this announcement or a previous Apollo EOL announcement for which there is no suggested replacement. Only the devices discontinued as part of this announcement are subject to the schedule provided on page one.

Apollo Part Number	When Announced
APLSP3A0	Now
APLSP3B0	Now
APLSP4A0	Now
APLSP4B0	Now
APLSP5A0	Now
APLSP5B0	Now
APLSP6A0	Now
APLSP6B0	Now