

CAN Protocol Communications Module



- COMPATIBLE WITH
 CR3000 HMIs
 DA30D High Performance Data Station
- CONFIGURED USING CRIMSON® SOFTWARE (VERSION 3.1 OR LATER)
- DIGITALLY ISOLATED CAN PORT CAPABLE OF COMMUNICATING WITH ANY CAN PROTOCOL DEVICE
- POWERED AND CONFIGURED FROM HOST DEVICE
- BUILT-IN TERMINATION RESISTOR SELECTABLE THROUGH A SWITCH



FOR USE IN HAZARDOUS LOCATIONS:
 Class I, Division 2, Groups A, B, C, and D
 T4



GENERAL DESCRIPTION

The CAN protocol module provides the host device with a CAN protocol communications port. It is built with digital isolation to protect the host device from the CAN protocol bus and vice versa. It provides the ability to communicate with any compliant high speed CAN protocol device. The CAN module has a termination resistor built-in, and is selectable through a switch. The connector is pluggable for easy removal of the CAN module from the CAN protocol bus, without disturbing communications with other devices on the bus.

The modules connect and communicate via proprietary USB connection to the various host devices. The host devices, equipped with serial ports as well as Ethernet port(s), allow the system to share data with PCs, PLCs and SCADA systems.

CONFIGURATION

The module is configured with Windows® compatible Crimson 3.1 software. The software is an easy to use, graphical interface which provides a means of configuring and commissioning of new systems, as well as routine module re-calibration.

SAFETY SUMMARY

All safety related regulations, local codes and instructions that appear in this literature or on equipment must be observed to ensure personal safety and to prevent damage to either the instrument or equipment connected to it. If equipment is used in a manner not specified by the manufacturer, the protection provided by the equipment may be impaired.

Do not use this unit to directly command motors, valves, or other actuators not equipped with safeguards. To do so can be potentially harmful to persons or equipment in the event of a fault to the unit.



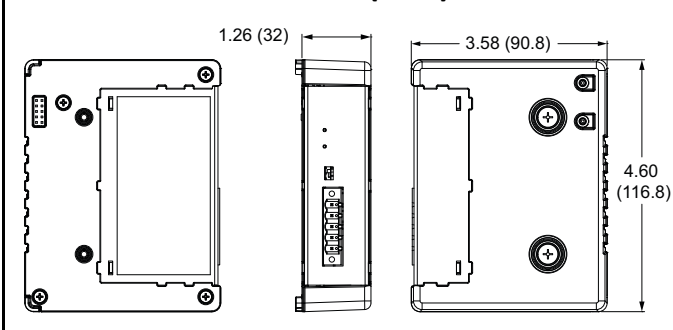
CAUTION: Risk of Danger.

Read complete instructions prior to installation and operation of the unit.



WARNING - EXPLOSION HAZARD - DO NOT DISCONNECT EQUIPMENT UNLESS POWER HAS BEEN SWITCHED OFF OR AREA IS KNOWN TO BE NON-HAZARDOUS.

DIMENSIONS In inches (mm)



ORDERING INFORMATION

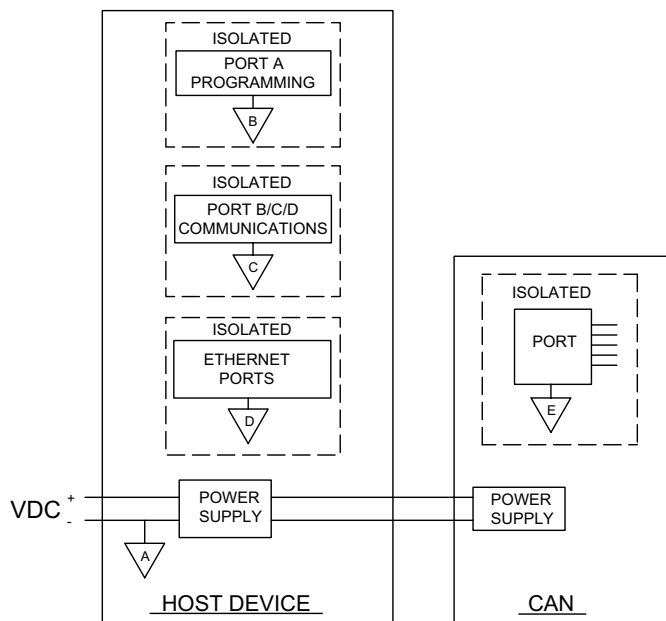
DESCRIPTION	PART NUMBER
CAN Protocol Communications Module	CRM000 CM CAN00 000

A listing of the entire CR3000 and DA30D family of products and accessories can be found at www.redlion.net.

SPECIFICATIONS

1. **POWER:** Power will be supplied by the host device.
CAN Max Power: 1.2 W
2. **COMMUNICATIONS:**
CAN Protocol Port: The CAN protocol port has format and baud rates that are software programmable up to 1M baud and is digitally isolated. 124 ohm, 1 W termination is provided through a switch.
 This port may be configured for various CAN protocols.
Isolation from CAN Communication ports to host device:
 1000 VDC for 1 minute.
3. **ENVIRONMENTAL CONDITIONS:**
 Operating Temperature Range: -10 to 50 °C
 Storage Temperature Range: -40 to +85 °C
 Operating and Storage Humidity: 85% max. relative humidity, non-condensing
 Altitude: Up to 2000 meters
4. **CERTIFICATIONS AND COMPLIANCES:**
CE Approved
 EN 61326-1 Immunity to Industrial Locations
 IEC/EN 61010-1
 RoHS Compliant
UL Hazardous: File #E317425
5. **CONSTRUCTION:** Case body is polycarbonate with stainless steel cover.
6. **CONNECTIONS:** Removable wire clamp screw terminal blocks
 Wire Gage: 28-14 AWG (0.32 mm - 1.63 mm) terminal gage wire
 Torque: 1.95-2.21 inch-lbs (0.22-0.25 N-m)
7. **MOUNTING:** Screws to host
8. **WEIGHT:** 6.3 oz (178.6 g)

Block Diagram for CAN



EMC INSTALLATION GUIDELINES

Although Red Lion Controls products are designed with a high degree of immunity to Electromagnetic Interference (EMI), proper installation and wiring methods must be followed to ensure compatibility in each application. The type of the electrical noise, source or coupling method into a unit may be different for various installations. Cable length, routing, and shield termination are very important and can mean the difference between a successful or troublesome installation. Listed are some EMI guidelines for a successful installation in an industrial environment.

1. A unit should be mounted in a metal enclosure, which is properly connected to protective earth.
2. Use shielded cables for all Signal and Control inputs. The shield connection should be made as short as possible. The connection point for the shield depends somewhat upon the application. Listed below are the recommended methods of connecting the shield, in order of their effectiveness.
 - a. Connect the shield to earth ground (protective earth) at one end where the unit is mounted.
 - b. Connect the shield to earth ground at both ends of the cable, usually when the noise source frequency is over 1 MHz.
3. Never run Signal or Control cables in the same conduit or raceway with AC power lines, conductors, feeding motors, solenoids, SCR controls, and heaters, etc. The cables should be run through metal conduit that is properly grounded. This is especially useful in applications where cable runs are long and portable two-way radios are used in close proximity or if the installation is near a commercial radio transmitter. Also, Signal or Control cables within an enclosure should be routed as far away as possible from contactors, control relays, transformers, and other noisy components.
4. Long cable runs are more susceptible to EMI pickup than short cable runs.
5. In extremely high EMI environments, the use of external EMI suppression devices such as Ferrite Suppression Cores for signal and

control cables is effective. The following EMI suppression devices (or equivalent) are recommended:

Fair-Rite part number 0443167251 (Red Lion Controls #FCOR0000)

Line Filters for input power cables:

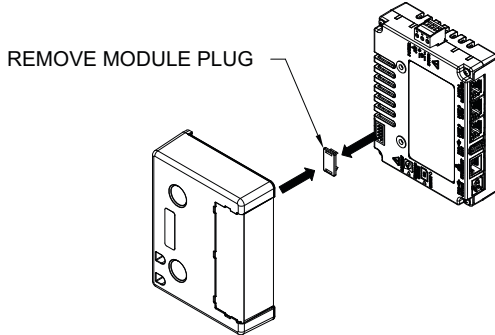
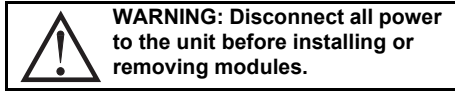
Schaffner # FN2010-1/07 (Red Lion Controls #LFIL0000)

6. To protect relay contacts that control inductive loads and to minimize radiated and conducted noise (EMI), some type of contact protection network is normally installed across the load, the contacts or both. The most effective location is across the load.
 - a. Using a snubber, which is a resistor-capacitor (RC) network or metal oxide varistor (MOV) across an AC inductive load is very effective at reducing EMI and increasing relay contact life.
 - b. If a DC inductive load (such as a DC relay coil) is controlled by a transistor switch, care must be taken not to exceed the breakdown voltage of the transistor when the load is switched. One of the most effective ways is to place a diode across the inductive load. Most Red Lion products with solid state outputs have internal zener diode protection. However external diode protection at the load is always a good design practice to limit EMI. Although the use of a snubber or varistor could be used.
 Red Lion part numbers: Snubber: SNUB0000
 Varistor: ILS11500 or ILS23000
7. Care should be taken when connecting input and output devices to the instrument. When a separate input and output common is provided, they should not be mixed. Therefore a sensor common should NOT be connected to an output common. This would cause EMI on the sensitive input common, which could affect the instrument's operation.

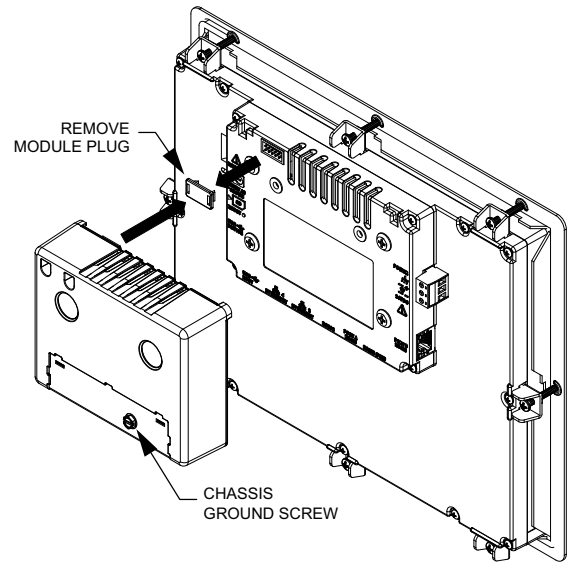
Visit www.redlion.net/emi for more information on EMI guidelines, Safety and CE issues as they relate to Red Lion products.

MODULE INSTALLATION

Remove polycarbonate module plug and attach module to host device. Torque screws to 6.0 pound-force inch [96 ounce-force inch] (0.68 Nm).



Installing Module on DA30D



Installing Module on CR3000

COMMUNICATING WITH THE CAN MODULE

CONFIGURATION

Programming is done via Crimson 3.1 software, a Windows® compatible configuration interface. Please see the Crimson 3.1 manual for more information.

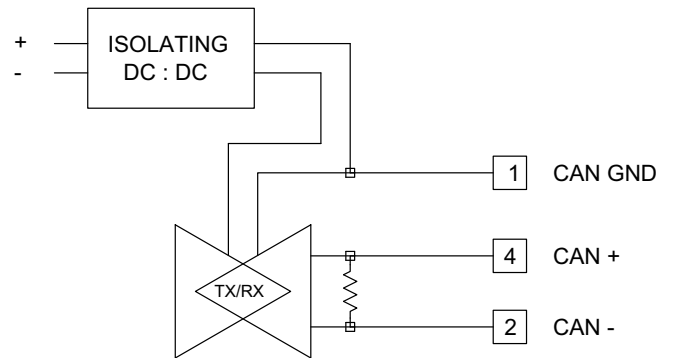
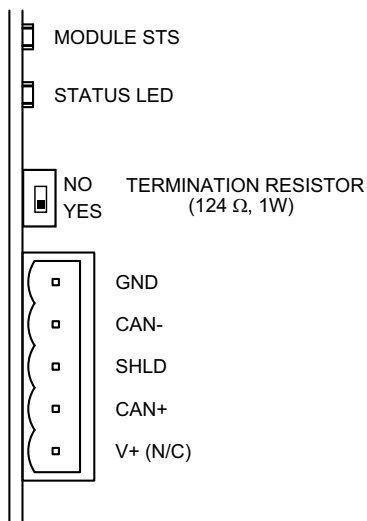
CAN PORT PROTOCOLS

The CAN module has one CAN protocol port. This port may be configured for various CAN protocols.

TERMINATION RESISTOR

An onboard termination resistor is selectable through a switch. The termination resistor is rated for 124 Ω at 1 W. If a different termination resistance is desired, slide the switch for no termination resistor. At this point you will be required to connect your own termination resistor between positions 2 and 4 of the five position connector.

Figure 3. CAN PORT PIN OUTS

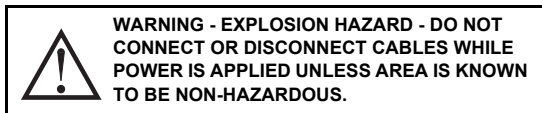


CAN GND

Position 1 of the pluggable connector provides a CAN ground connection. This terminal is isolated from the host device.

CAN-

Position 2 of the pluggable connector provides the CAN- bus line (active low). This terminal is isolated from the host device.



SHLD (OPTIONAL CAN SHIELD)

Position 3 of the pluggable connector is provided for optional shield connections. This position is available only to tie shield wires together or to earth ground. There is no internal connection to earth ground. The SHLD position is not connected to any circuitry internal to the CAN module or host device.

CAN+

Position 4 of the pluggable connector provides the CAN+ bus line (active high). This terminal is isolated from the host device.

V+ (OPTIONAL 24 VDC)

Position 5 of the pluggable connector is provided for optional 24 VDC connections. This position is available only to tie 24 VDC wires together. The CAN module neither provides 24 VDC power nor uses 24 VDC power through this connection. The V+ position is not connected to any circuitry internal to the CAN module or host device.

LEDs

MODULE STS – STATUS LED

The Status LED is a green/red LED that provides information regarding the state of the module. This includes indication of the various stages of the start-up routine (power-up), as well as any errors that may occur.

Startup Routine

Flashing Red	Module is currently running the boot loader and/or being flash upgraded by Crimson.
Green	Module performing normally.

Error States

Flashing Green	Module has lost communication with the Host.
----------------	--

STATUS LED

Green	CAN module established communication with other CAN protocol devices (RUN) and is communicating normally.
Red	CAN module failed to establish communications with other CAN protocol devices (ERROR).

FIRMWARE UPGRADE

The module's firmware is stored in flash memory so that software/hardware conflicts are avoided, and so features can be added in the future.

During a download, Crimson compares its own library of firmware files with those stored in the module. If they do not match, Crimson will download the necessary firmware.

TROUBLESHOOTING

If for any reason you have trouble operating, connecting, or simply have questions concerning your new unit, contact Red Lion's technical support.

Email: support@redlion.net
 Website: www.redlion.net
 Inside US: +1 (877) 432-9908
 Outside US: +1 (717) 767-6511

LIMITED WARRANTY

(a) Red Lion Controls Inc. (the "Company") warrants that all Products shall be free from defects in material and workmanship under normal use for the period of time provided in "Statement of Warranty Periods" (available at www.redlion.net) current at the time of shipment of the Products (the "Warranty Period"). **EXCEPT FOR THE ABOVE- STATED WARRANTY, COMPANY MAKES NO WARRANTY WHATSOEVER WITH RESPECT TO THE PRODUCTS, INCLUDING ANY (A) WARRANTY OF MERCHANTABILITY; (B) WARRANTY OF FITNESS FOR A PARTICULAR PURPOSE; OR (C) WARRANTY AGAINST INFRINGEMENT OF INTELLECTUAL PROPERTY RIGHTS OF A THIRD PARTY; WHETHER EXPRESS OR IMPLIED BY LAW, COURSE OF DEALING, COURSE OF PERFORMANCE, USAGE OF TRADE OR OTHERWISE.** Customer shall be responsible for determining that a Product is suitable for Customer's use and that such use complies with any applicable local, state or federal law.

(b) The Company shall not be liable for a breach of the warranty set forth in paragraph (a) if (i) the defect is a result of Customer's failure to store, install, commission or maintain the Product according to specifications; (ii) Customer alters or repairs such Product without the prior written consent of Company.

(c) Subject to paragraph (b), with respect to any such Product during the Warranty Period, Company shall, in its sole discretion, either (i) repair or replace the Product; or (ii) credit or refund the price of Product provided that, if Company so requests, Customer shall, at Company's expense, return such Product to Company.

(d) **THE REMEDIES SET FORTH IN PARAGRAPH (c) SHALL BE THE CUSTOMER'S SOLE AND EXCLUSIVE REMEDY AND COMPANY'S ENTIRE LIABILITY FOR ANY BREACH OF THE LIMITED WARRANTY SET FORTH IN PARAGRAPH (a).**