

# FLEXEDGE® 8 Analog Output Module



## FLEXEDGE® Intelligent Edge Automation Platform

The 8AO I/O module offers 8 analog outputs and is designed for use with DA70 controllers. The module provides eight isolated outputs that are independently programmable for output ranges of 0-5 VDC, 0-10 VDC,  $\pm 5$  VDC,  $\pm 10$  VDC, or 0/4-20 mA. Internal scaling is provided to accommodate virtually any application.

- High density analog output module for the DA70
- Available outputs include: 0 to 5 VDC, 0 to 10 VDC,  $\pm 5$  VDC,  $\pm 10$  VDC, and 0/4 to 20 mA DC
- Offers complete isolation; inputs, power, and communication
- On-device wiring diagram
- At-a-glance module status indicator
- Outputs are isolated from each other and from the backplane
- Outputs are software configured and fully scalable
- Individual channel LEDs for troubleshooting and testing



## Ordering Guide

### Main Unit

Part Number	Description
DAM00100UT810000	DA 8 Analog Output Module

# DA70 8 Analog Output Module Specifications

## Specifications

### Power Requirements

Power is supplied by the DA host device.

**Max Power:** 4.6 W

### LEDs

One status LED.

### Memory

Non-volatile memory retains all programmable parameters. The Controller also stores the parameters in order to reprogram any modules that need updates.

### AO - Analog Outputs

Eight (8) independently configured analog outputs.

Software programmable for 0-5 VDC,  $\pm 5$  VDC, 0-10 VDC,  $\pm 10$  VDC, 0-20 mA, 4-20 mA

Effective Resolution: Full 16-bit (Signed)

Voltage: 500  $\mu$ V

Current: 1  $\mu$ A

Accuracy: 0.2% of full scale (-40 to 75 °C)

0-5 VDC,  $\pm 5$  VDC, 0-10 VDC,  $\pm 10$  VDC, 0-20 mA ranges: 0.2% of full scale

4-20 mA range: 0.25% of full scale

Isolation Level: The outputs are isolated from each other, and are isolated from the power supply. 500 Vrms @ 50/60 Hz for 1 minute between any of the outputs and the Host power supply input.

### Communications

Provided by the DA70 Controller

### Environmental

Operating Temperature Range: -40 to 75 °C  $T_{AMB}$

Storage Temperature Range: -40 to +80 °C  $T_{AMB}$

Operating and Storage Humidity: 0 to 95% max. RH non-condensing.

Vibration to IEC 60068-2-6: Operational 5-500 Hz, 2 g

Shock to IEC 68-2-27: Operational 15 g

Altitude: Up to 2000 meters

Installation Category II, Pollution Degree 2 as defined in IEC/EN 60664-1.

### Certification & Compliance

#### CE Approved

EN 61326-1 Immunity to Industrial Locations

Emission CISPR 11 Class A

IEC/EN 61010-1

RoHS Compliant

#### ATEX Approved

Ⓜ II 3 G Ex ec IIC T4 Gc

DEMKO 20 ATEX 2268X

#### IECEX Approved

IECEX UL 20.0007X

#### UKEX Approved

UL22UKEX2576X

#### UL Hazardous: File #E317425

Rugged IP30 enclosure

### Connections

Wire Strip Length: 0.3" (7.5 mm)

Wire Gauge Capacity: 14 to 24 AWG (2.08 to 0.20 mm<sup>2</sup>) copper wire only

### Construction

Polycarbonate enclosure with IP30 rating.

Weight: 10.2 oz (317.26 g)

### Mounting

DIN Rail: Attaches to standard "T" profile DIN rail according to EN50022 - 35 x 7.5 and 35 x 15

### Warranty

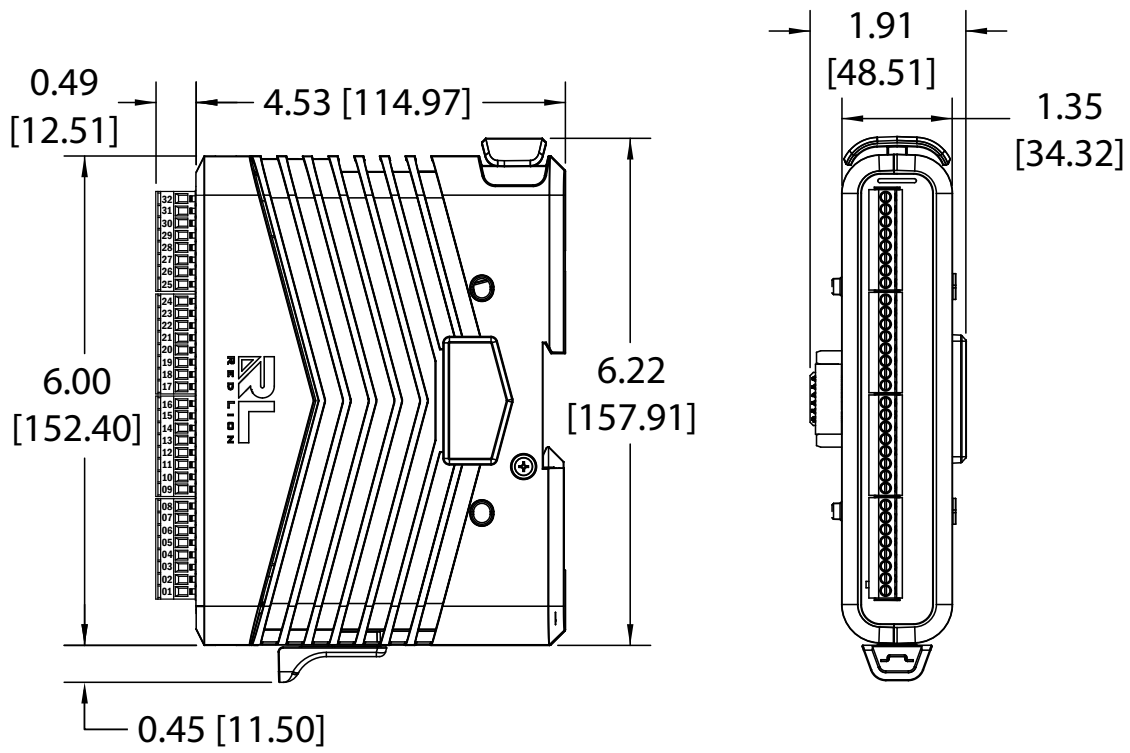
3 years on design and manufacturing defects.

Specifications are subject to change.

Visit [www.redlion.net](http://www.redlion.net) for more information.

# DA70 8 Analog Output Module Dimensions

Dimensions In inches [mm]





[www.redlion.net](http://www.redlion.net)  
[contact us](#)

© 2024 Red Lion Controls, Inc. All Rights Reserved. The terms Red Lion, the Red Lion logo and FlexEdge are registered trademarks of Red Lion Controls. All other marks are the property of their respective owners.

LD1024B 03 2024