

FLEXEDGE® 8 Relay Output Module



FLEXEDGE® Intelligent Edge Automation Platform

One platform. Millions of configurations. Limitless potential.

- Adds output capability to the DA70 controller
- Fully isolated design provides reliable operation
- 8 Independent Form C Relay Outputs
- Offers complete isolation; power and core
- 3A Maximum Current per relay
- Configured using Crimson® software (version 3.2 or later)



Ordering Guide

Main Unit

Part Number	Description
DAM00I08R0000000	DA 8 Channel Form C Relay Output Module

A listing of the entire DA Series of products and accessories can be found at www.redlion.net.

DA 8 Relay Output Module Specifications

Specifications

Power Requirements

Power is supplied by the DA host device.

Max Power: 2.8 W

LEDs

One LED indicator for each relay and one status LED.

Memory

Non-volatile memory retains all programmable parameters.

Form C Relay Outputs

Eight (8) per module

Contact Ratings:

Per Relay: 0.4 Amps @ 30 VDC/125 VAC at 75 °C T_{AMB}
3.0 Amps @ 30 VDC/125 VAC at 65 °C T_{AMB}

Life Expectancy: 100,000 cycles at max. load rating.
(Decreasing load, increasing cycle time, and use of surge suppression such as RC snubbers increases life expectancy.)

Isolation Level

500 Vrms @ 50/60 Hz for 1 minute between the following:

Outputs
Host Controller

Communications

Provided by the DA70 Controller

Environmental

Operating Temperature Range: -40 to 75 °C

Storage Temperature Range: -40 to 80 °C

Vibration to IEC 60068-2-6: Operational 5-500 Hz, 2 g

Shock to IEC 60068-2-27: Operational 10 g

Operating and Storage Humidity: 0 to 95% max. RH non-condensing

Altitude: Up to 2000 meters

Installation Category II, Pollution Degree 2 as defined in IEC/EN 60664-1.

Certification & Compliance

CE Approved

EN 61326-1 Immunity to Industrial Locations

Emission CISPR 11 Class A

IEC/EN 61010-1

RoHS Compliant

UL Hazardous: File # E317425

Rugged IP30 enclosure

Connections

Wire Strip Length: 0.3" (7.5 mm)

Wire Gauge Capacity: 14 to 24 AWG (2.08 to 0.20 mm²) copper wire only

Construction

Polycarbonate enclosure with IP30 rating.

Weight: 13.8 oz (391 g)

Mounting

DIN Rail: Attaches to standard "T" profile DIN rail according to

EN50022 - 35 x 7.5 and 35 x 15

Warranty

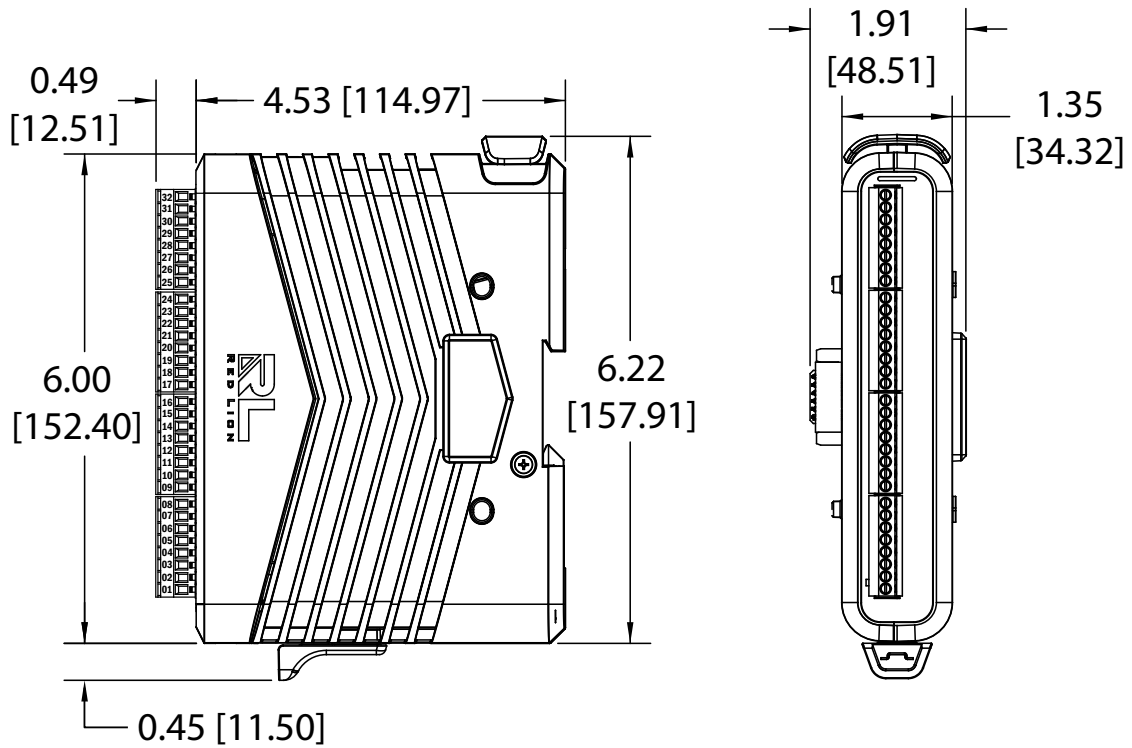
3 years on design and manufacturing defects.

Specifications are subject to change.

Visit www.redlion.net for more information.

DA 8 Relay Output Module Dimensions

Dimensions In inches [mm]





www.redlion.net
[contact us](#)

© 2024 Red Lion Controls, Inc. All Rights Reserved. The terms Red Lion, the Red Lion logo, Crimson and FlexEdge are registered trademarks of Red Lion Controls. All other marks are the property of their respective owners.

LD1018C 03 2024