

N-Tron® Series NT5006



Gigabit Managed Ethernet Switch

The NT5006 Gigabit Industrial Switch sets a new standard for performance, reliability, and ease of use. The switch features a modern, graphical user interface with a quick start wizard to guide users through switch configuration. A logical view of the switch shows active ports, temperature, alarm and LED status, along with port traffic and event gauges in a single easy to read dashboard. Features include:



- Six 10/100/1000 RJ45 ports
- Redundant 10–49 VDC power inputs
- High shock and vibration tolerance
- N-Ring™ technology with ~30ms healing and RSTP/ MSTP network redundancy
- Password encryption, IEEE 802.1X, RADIUS, MAC filtering, syslog
- Advanced management and diagnostics features



Ordering Guide

Main Unit

| Part Number | Description |
|------------------|---|
| NT-5006-000-0000 | 6-Port Gigabit Managed Industrial Ethernet Switch (6 10/100/1000BaseT RJ45 Ports) |

Model number may be followed by -CC indicating conformal coating.

Accessories

| Part Number | Description |
|------------------|---|
| NT-CPMA-04-00000 | NT5000 Panel Mount Kit, Type B (Narrow) |
| NTPS-24-1-3 | DIN Rail Power Supply, 1.3 Amp @ 24 VDC |

NT5006 Specifications

Specifications

Hardware

Compact, space saving, hardened industrial design
Wide operating temperature
High shock and vibration tolerance
Shock: IEC 68-2-27: 200 g @ 10 ms Triaxial; non-operational; panel mounted
Vibration: IEC 68-2-6: 15 g @ 5-200 Hz Triaxial; operational; panel mounted
Reverse polarity protection
ESD and surge protection
Fast boot (traffic passes <20 seconds)
Configurable alarm contact
Configurable bi-color fault status LED
LED port status indicators
Jumbo frame support
Redundant power inputs (10-49 VDC)
Hardened industrial design
IEEE 802.3 compliance
Full wire speed communication
MDIX auto-sensing cable
Auto-sensing speed and flow control
Up to 12.0 Gb/s maximum throughput
Store-and-forward technology
Number of MAC addresses: Up to 4k
Latency (typical): < 1.8 μ s
MTBF: 1.5M Hours

Management

Modern, intuitive Web Interface
Configuration wizard
Graphical dashboard and logical view of the switch
Command Line Interface
Port control
IGMP v1/v2/v3
SNMP v1/v2/v3
NTP
802.1Q tag VLAN and port VLAN
IEEE 802.1p QoS and port QoS
Text-based configuration file
File transfer: HTTP/HTTPS, TFTP, SNMP
DHCP Server, Option 82 relay, Option 61, IP fallback

Security

SSH, SSL, HTTPS
MAC Filtering
IEEE 802.1X with RADIUS remote server authentication
Port/User lockout after failed authentication attempts
SNMPv3
Password encryption

Diagnostic

Port mirroring
Event log/Syslog
LLDP
Advanced cable diagnostics

Network Redundancy

RSTP/MSTP
Port trunking/LACP
N-Ring™ technology with ~30ms healing

MIBs

RFC 2674 VLAN MIB
RFC 2819 RMON (Group 1, 2, 3 & 9)
RFC 1213 MIB II
RFC 1215 TRAPS MIB
RFC 4188 Bridge MIB
RFC 4292 IP Forwarding Table MIB
RFC 4293 Management Information Base for the Internet Protocol (IP)
RFC 5519 Multicast Group Membership Discovery MIB
RFC 2863 Interface Group MIB using SMI v2
RFC 4133 Entity MIB version 3
RFC 3411 SNMP Management Frameworks
RFC 3414 User-based Security Model for SNMPv3
RFC 3415 View-based access Control Model for SNMP
IEEE 802.1AB LLDP-MIB
IEEE 802.1 MSTP MIB

Software Tool To Manage/Schedule Firmware

Updates

N-View™ 2

Certification & Compliance

Product Safety: UL 61010 and C22.2 No. 61010 OrdLoc, UL 121201 and CSA C22.2 No. 213 Class I, Division 2 HazLoc, ATEX, IECEx and UKEx II 3 G Ex ec nC IIC T4 Gc, UL 20 ATEX 2645X, UL 22.0038X IECEx and UL22UKEX2346X
EMI/EMC: CFR 47, Part 15, Subpart B, Canada ICES-003, ANSI C63.4, EN 61000-6-2 and 4, IEC 61000-4-2, 3, 4, 5, 6 and 8
Shock & Vibration (panel mounted) - IEC 68-2-27: 200 g @ 10 ms Triaxial; non-operational, IEC 68-2-6: 15 g @ 5-200 Hz Triaxial; operational
Railway/Rolling Stock - EN 50155, EN 50121 and EN 61373
Marine: ABS Type Approval for Shipboard Applications
Designed to Comply With - IEEE 1613 for Electric Utility Substations and NEMA TS1/TS2 for Traffic Control
Other - RoHS compliant

Warranty

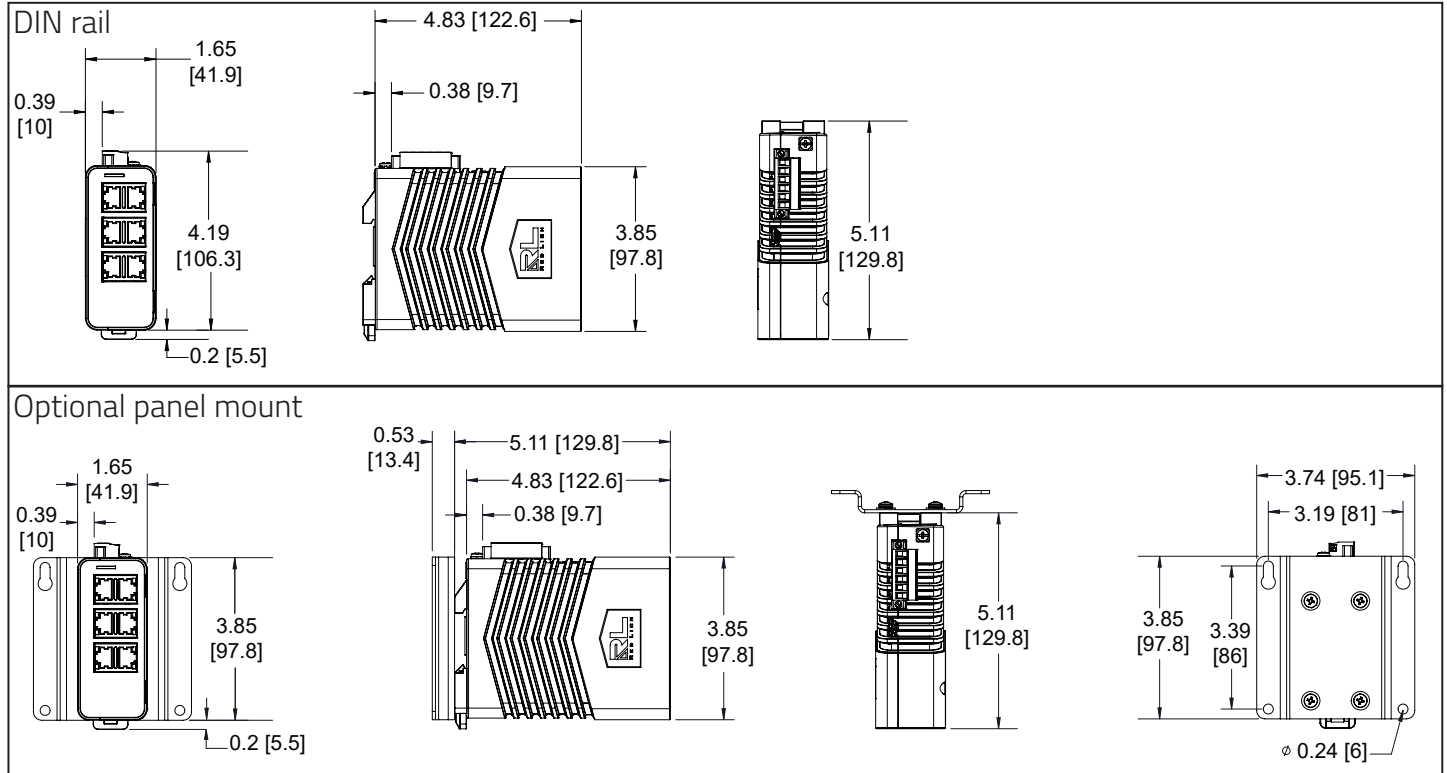
3 years on design and manufacturing defects.

Specifications are subject to change.

Visit www.redlion.net for more information.

NT5006 Dimensions and Specifications

Dimensions In inches [mm]



| NT5006 Specifications | |
|-----------------------------|---------------------|
| Weight | 1.09 lbs. (0.50 kg) |
| Input Voltage Range | 10-49 VDC |
| Steady Input Range | 0.23 A @ 24 VDC |
| BTU/hr | 18.84 |
| Operating Temperature Range | -40 to 85 °C |
| Storage Temperature Range | -40 to 85 °C |
| Humidity (non-condensing) | 10 to 95% RH |
| Operating Altitude | 0 to 10,000 ft. |

| Network Media Specifications | |
|------------------------------|--------------|
| 10BaseT | ≥Cat3 Cable |
| 100BaseTX | ≥Cat5 Cable |
| 1000BaseT | ≥Cat5e Cable |

| Connectors | |
|------------------|---------------------------|
| 10/100/1000BaseT | Six (6) RJ45 copper ports |

| Recommended Minimum Wiring Clearance | |
|--------------------------------------|---------------|
| Front | 2" (50.8 mm) |
| Top | 4" (101.6 mm) |



www.redlion.net
[contact us](#)

© 2024 Red Lion Controls, Inc. All Rights Reserved. The terms Red Lion, the Red Lion logo, N-Tron, N-View and N-Ring are trademarks or registered trademarks of Red Lion Controls. All other marks are the property of their respective owners.

LD1069C 05 2024