

RA10C



Compact Industrial Firewall

THE RA10C COMPACT INDUSTRIAL FIREWALL OFFERS PROTECTION AGAINST ATTACKS BY SEGMENTING THE PRODUCTION NETWORK INTO MANAGEABLE AND LOGICALLY SEPARATED SECTIONS. THE BUILT-IN SELF-LEARNING FUNCTION SIMPLIFIES DEPLOYMENT BY REDUCING CONFIGURATION ERRORS AND IS EASY ENOUGH FOR ANYBODY TO DEPLOY.

MANAGING THE RA10C IS EASY. SIMPLY CREATE A PROJECT AND UPLOAD IT TO THE DEVICE. IF CHANGES ARE REQUIRED, THEY CAN BE MADE DURING NORMAL OPERATION OR OFFLINE AND UPLOADED.

- ▲ Compact industrial firewall
- ▲ Automatic learning of network traffic
- ▲ Graphical representation of device configuration
- ▲ Easily adds security to new or existing deployments
- ▲ Two digital inputs via on-board I/O



Ordering Guide

INDUSTRIAL FIREWALL

| PART NUMBER | DESCRIPTION |
|-----------------|---|
| RA10C00000000D0 | Compact Industrial Firewall with LAN/WAN, DIN Rail Mount (AMER) |
| RA10C00000000DA | Compact Industrial Firewall with LAN/WAN, DIN Rail Mount (RoW) |

▲ RA10C Specifications

▲ Specifications

Power Input

Input Voltage: 10 to 30 VDC

Current Consumption: Max 250 mA @ 24 V

Communication Properties

Ethernet Interfaces:

LAN: Three (3) 10/100 BASE-T(X) RJ45 ports

WAN: One (1) 10/100 BASE-T(X) RJ45 port

USB Device Port:

One (1) USB Device 2.0 mini port

On-board I/O

Digital Inputs:

Two (2) 10 to 30 VDC (low 0 to 3.2, high 8 to 30 VDC)

Networking Capabilities

Operating Modes: Bridge / Gateway mode

Routing:

Gateway Mode: Between WAN and LAN with static routing table

NAT:

Gateway Mode: Forwarding (DNAT), SimpleNAT, NetworkNAT, SNAT

Network Filter:

Bridge / Gateway mode: IP/port/protocol filter, MAC filter, WAN>LAN and LAN>WAN, Black/White listing

Network Learning Function:

Bridge / Gateway mode: Taking over of network traffic as filter rules, output of network list

Configuration via management software or CLI via SSH

Access Control:

Four different access levels

Services:

NTP Client, Syslog client

Environmental

Operating Temperature Range: -40 to 75 °C

Storage Temperature Range: -40 to 85 °C

Operating and Storage Humidity: 0 to 95% max. RH non-condensing

Certification & Compliance

UL Listed: File # E482663

Construction

Metal enclosure with IP30 rating (when all ports are populated).

Weight: 8.29 oz (235 g)

Mounting

DIN Rail: Attaches to standard "T" profile DIN rail according to

EN50022 - 35 x 7.5 and 35 x 15

Warranty

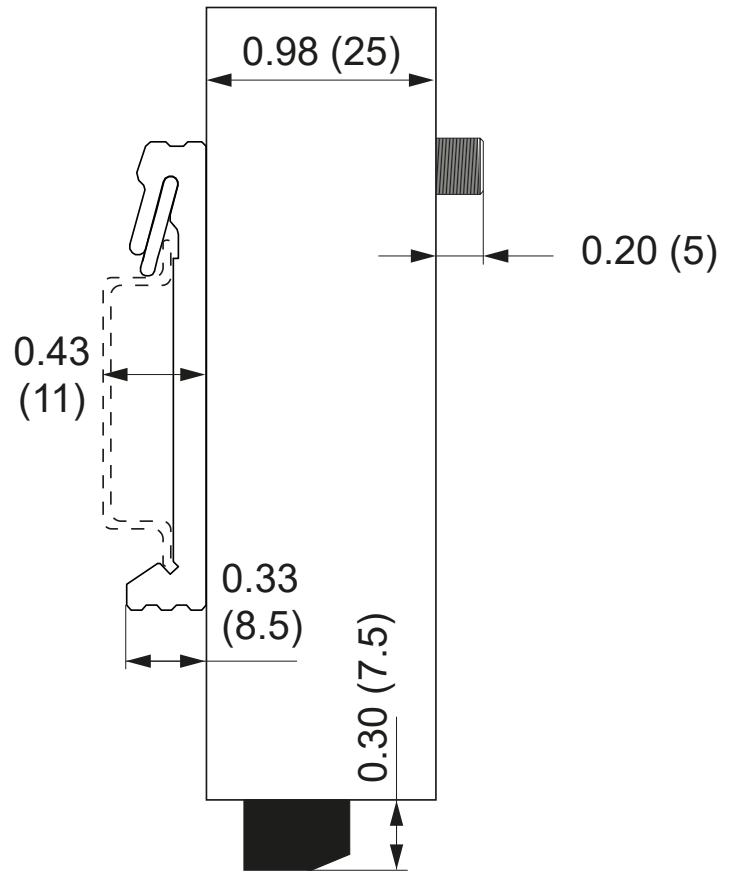
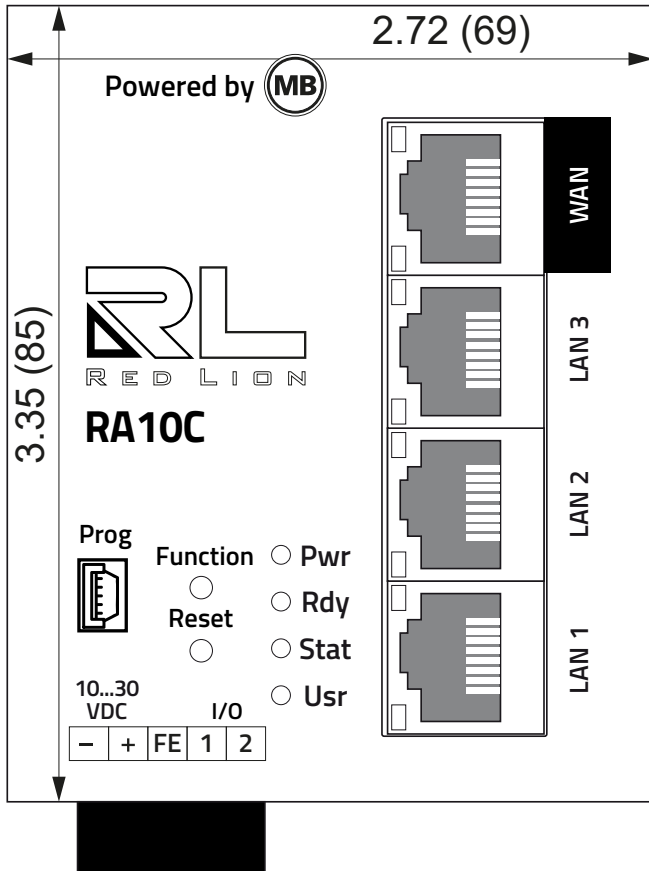
1 year on design and manufacturing defects.

Specifications are subject to change.

Visit www.redlion.net for more information.

▲ RA10C Dimensions

▲ Dimensions In inches (mm)



www.redlion.net
[contact us](#)

© 2024 Red Lion Controls, Inc. All Rights Reserved. The terms Red Lion and the Red Lion logo are registered trademarks of Red Lion Controls. All other marks are the property of their respective owners.

LD1014E 05 2024