

# End of Life Notice

Rev 3/2017

Updated RLY Series Solid State Relays (SSR)



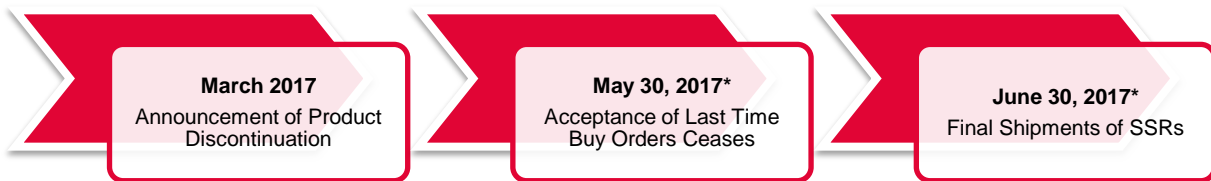
## Introduction

As a complement to its PID Controller offering, Red Lion introduced the heavy-duty RLY series of solid state relays, designed for applications requiring switching of high current loads. These relays can be directly controlled by logic/SSR drive output or sourcing output of Red Lion Controls products. Due to circumstances beyond its control, the original three SSR relays are being discontinued.

This document describes the alternatives available and provides information on how their features compare with one another.

## Timing

Red Lion Controls intends to honor the standard warranty obligation for this product when ordered and delivered in accordance with the following transition schedule:



### March 2017

- Announcement to customers
- Red Lion begins accepting non-cancellable, non-returnable last time buy orders
- Orders may be scheduled for delivery between March 2017 and June 30, 2017

### May 30, 2017

- General availability of older SSRs ceases
- Acceptance of last time buy orders concludes

### June 30, 2017

- Shipment of older SSRs stops

### **Why is this transition taking place?**

A newly designed SSR product line is replacing the existing product line and will be available soon. Developed with the latest technology, the product line is intended to last for a number of years.

### **What happens to my current investment in SSR relays?**

Maintaining excellent compatibility for easy and cost-effective transition is an important design criterion when making product changes. Red Lion Controls recommends our new SSR Relays as a designated replacement for SSR relays being discontinued.

Please see Appendix A for a detailed comparison of the two products.

\*Dates may be subject to change depending on product sales

## Appendix A

The new SSR relays are the designated replacement for the currently available SSR relays. The chart below compares the features of the two products.



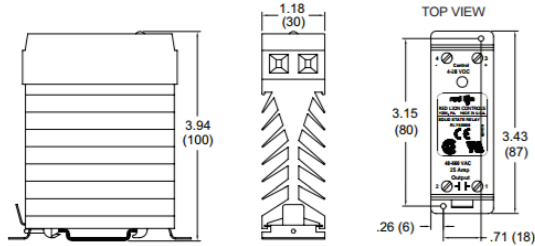
**EOL SSR Relays**



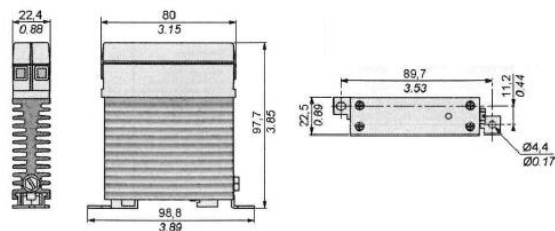
**New SSR Relays**

	EOL SSR Relays	New SSR Relays
<b>Part Number</b>	RLY60000 RLY6A000 RLY70000	RLY60100 RLY6A100 RLY70100
<b>Input Voltage Range</b>	4 to 32 VDC	4 to 32 VDC
<b>Load Output Voltage</b>	24 to 660 VAC	48 to 660 VAC (RLY6/6A) 48 to 600 VAC (RLY7)
<b>Load Output Current</b>	25 A (RLY6) 40 A (RLY6A) 25 A (RLY7)	30 A (RLY6) 45 A (RLY6A) 25 A (RLY7)
<b>Switching Type</b>	Zero Cross	Zero Cross
<b>Replacement Concerns</b>		Small dimensional differences. Please see manual for more details.

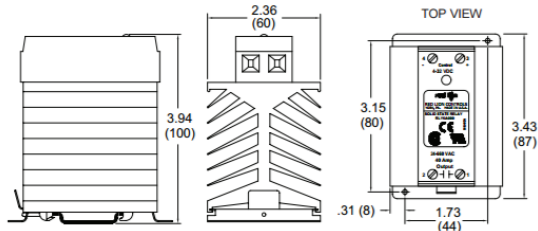
**RLY6, 25 Amp DIMENSIONS In inches (mm)**



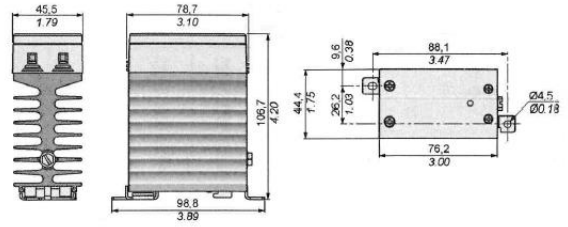
**RLY60100**



**RLY6A, 40 Amp DIMENSIONS In inches (mm)**

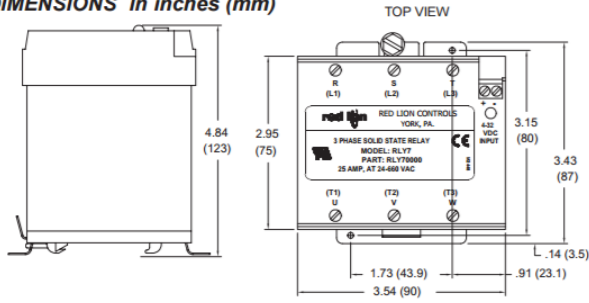


**RLY6A100**



**RLY7**

**DIMENSIONS In inches (mm)**



**RLY70100**

